



**Product features:**

- Metal construction throughout
- Custom designed for lower range pressures
- Luscious European quality chromium plate finish
- Supplied complete with flexible tail pipes for fast simple fitting
- Traditional European styling

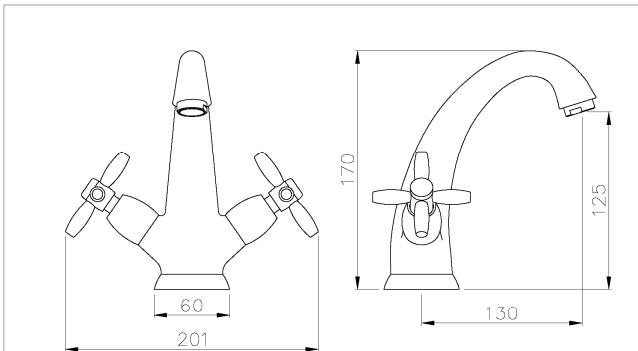
**Packaged properties:**

**Box length:** 280 mm      **Box depth:** 170 mm  
**Box width:** 210 mm      **Boxed weight:** 2.08 kg

**Includes pop up waste?:** No

**Additional comments:**

**Product dimensions:**



- **Overall Height / projection:** 170 mm
- **Exit reach:** 130 mm
- **Exit height:** 125 mm
- **Centre distance(s):** n/a mm
- **Base diameter(s):** 60 mm
- **Product mounted where:** Surface
- **Recommended hole diameter:** 35 mm
- **Min. fitting depth required:** n/a mm
- **Max. surface depth:** 32 mm

Opulence basin mixer with fixed spout

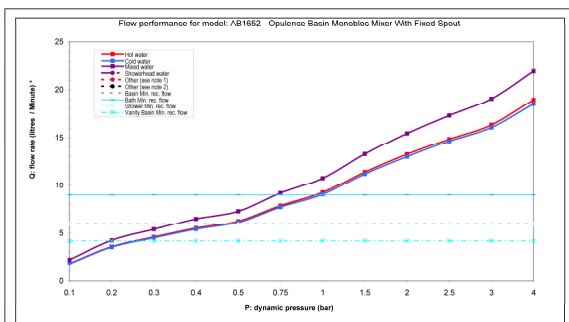
AB1652 v1

(c) abode home products ltd  
www.abode.eu



Our policy is to continually improve and develop products, and accordingly we reserve the right to amend specifications without prior notice

**Product flow characteristics:**



- **Min / Max water pressure:** 0.4 / 5.5 bar
- **Part G mixed flow rate at 3 bar (l/m):** 19.05

- **Max water temperature:** 70° C
- **Product flow characteristics:** Single flow
- **Aerator type:** Neoperl honeycomb, light blue
- **Includes output diverter?:** N/A
- **Control valve type:** 1/2" QT CD (8-20)
- **Non return valve position:** n/a
- **Mesh particle filter size:** n/a
- **Inlet / outlet size:** 1/2" F / M10
- **Inlet type / length:** Flexi / 300mm mm
- **Shower hose type / length:** N/a / n/a

**Warranty Summary (Full details available on request):**

- Materials and workmanship defects warranted for 5 years
- Valves and working parts warranted for 5 years
- Surface warranty defects warranted for 1 year
- O-rings, hoses & gaskets warranted for 1 year

**Care instructions:**

- Clean the mixers and showers regularly as required, using soap, do not use any other cleaners.
- Regular cleaning will prevent the build up of lime scale and dirt
- After cleaning rinse thoroughly with clean water to remove any cleaner residue
- Residues of liquid soaps, shampoos and shower foams can also cause damage, so rinse with clean water after using, avoid contact with any abrasives