

BLUCI

VECCHIO G10
2.0 BOWL BELFAST SINK

CODE: VECCHIO-G10

All dimensions are subject to change without notice. Please check the actual product for exact measurements.
 No liability will be accepted for incorrect or out of date measurements.



Product Information

Dimensions (WxDxH): **800 x 490 x 220mm**

Bowl Size (WxDxH): **365 x 442 x 190mm**

Material: **Fireclay Ceramic**

Finish: **Gloss White**

| | |
|-----------------------|--------------|
| Product finish | Chrome/White |
|-----------------------|--------------|

| | |
|-----------------------|---------------|
| EAN 13 barcode | 5060344151979 |
|-----------------------|---------------|



Note: the finish of the product shown vary from that shown

Product features:

- Metal construction throughout (acrylic levers)
- Quarter turn handle action for precise flow control
- Supplied with copper tail pipes for maximum stability and flow
- Elegant retro design form

Key Dimensions:

- **Base diameter(s):** 50 mm
- **Recommended fixing hole diameter:** Ø35mm
- **Max. surface fixing depth:** 30 mm

Valve details:

- **Valve(s) type:** 1/2" ceramic disc, quarter turn operation
- **Recommended / Maximum water temperature:** 46°C / 70°C

Inlets, Tail Pipes and Check Valves:

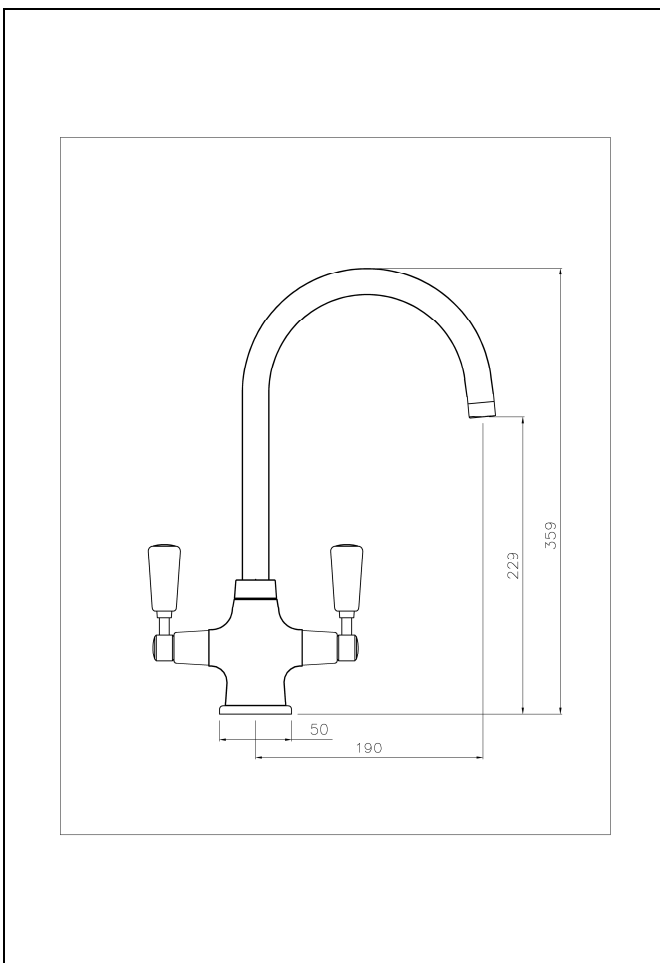
- **Non return valve (NRV) supplied:** No, none required
- **Tail pipe inlet / outlet size:** M12 / 15mm Ø
- **Inlet pipe type / length:** copper rigid tube / 245 mm

Spout and Aerator details:

- **Product flow characteristics:** Dual flow
- **Aerator type:** Honeycomb
- **Spout rotation range:** 360°

Flow and Pressure:

- **Min / Max water pressure:** 0.30 / 5.50 bar
- **Part G: Mixed flow rate, 3 bar (litres / min):** 17.70



Warranty Summary (Full details available on request):

- Materials and workmanship defects warranted for year(s)
- Valves and working parts warranted for year(s)
- Surface warranty defects warranted for year(s)
- O-rings, hoses & gaskets warranted for year(s)

Care instructions:

- Clean the mixers and showers regularly, using a mild washing up detergent, do not use any other cleaners.
- Regular cleaning will prevent the build up of lime scale and dirt.
- After cleaning rinse thoroughly with clean water to remove any residue
- Residues of sink & worktop cleaners can also cause damage - rinse the product with clean water after using, avoid contact with any abrasives