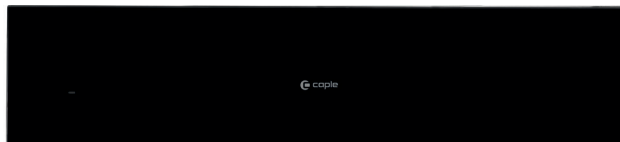


# Classic warming drawer Instruction manual

## **WD140CLSS / WD140CLBK**



# CONTENTS

Warnings	3
Proper Use Of The Appliance	4
Safety Instructions And Warnings	5
Disposal Of Packaging	7
Electrical Connection	8
Before The First Use	10
Appliance Controls	10
Operation	10
Temperature Selection	11
Load Capacity	12
Care And Cleaning	13
Troubleshooting	14
Installation	15
Technical Data	18

Please keep this instruction manual for future reference

## **WARNINGS:**

### **IMPORTANT INSTALLATION INFORMATION**

- Please read this instruction manual carefully. This will allow you to use your appliance in complete safety.
- Always keep the instruction manual handy.
- This appliance is exclusively for home use for heating dishes.
- Caple shall not be held liable for damage to persons or property due to incorrect installation, or incorrect use of the appliance.
- Be sure to check the appliance once it has been unpacked. If it has been damaged, do not use it and contact your retailer straight away.

## PROPER USE OF THE APPLIANCE

- This appliance is compliant with current safety regulations.
- Improper use may nonetheless cause damage to persons and/or property.
- The inside of the appliance can reach a temperature of up to 75°C when the thermostat is set to the maximum position. When taking out hot dishes, use appropriate oven gloves as necessary.
- Remember that children have very delicate skin which is more sensitive to heat.
- Therefore , do not allow children to play with the appliance.
- If the on button is pressed , the drawer will start heating and there is the danger of burns.
- This appliance is designed for domestic use only

## **SAFETY INSTRUCTIONS AND WARNINGS**

- This appliance is not intended for use by persons (including children) with reduced physical, sensory or mental capabilities, or lack of experience and knowledge, unless they have been given supervision or instruction concerning use of the appliance by a person responsible for their safety.
- Children should be supervised to ensure that they do not play with the appliance.
- Do not use the appliance to keep warm , re-heat or cook foods and beverages.
- Humidity from foods or beverages may cause problems for the appliance.
- Do not lean or sit on the open drawer. The telescopic carriage may be damaged.
- The maximum load of the drawer is 25 kg.
- Make sure that the appliance is firmly secured to the cabinet.
- Do not keep plastic or flammable objects in the appliance. When the appliance is turned on, these kinds of objects may melt or catch fire.
- Do not use the appliance to heat the room.

Please keep this instruction manual for future reference

- Never use steam cleaners. They may cause short circuits and damage the appliance.
- Never under any circumstances insert objects (e.g. screwdrivers, pointed objects, paper, etc.) through the slots in the protection grille of the heating element and fan.
- If the supply cord is damaged, it must be replaced by the manufacturer or its service agent or a similarly qualified person in order to avoid a hazard.

## DISPOSAL OF PACKAGING

The packaging materials protect the appliance during transport.

Recycling of the packaging makes it possible to save raw materials and reduce waste volumes. If you dispose of the packaging yourself, ask local authorities for the location of the nearest collection centre.



## ENVIRONMENTAL PROTECTION

Waste electrical products should not be disposed of with household waste. Please recycle where facilities exist. Check with your Local Authority or retailer for recycling advice.

This appliance is marked according to the European directive on Waste Electrical and Electronic Equipment (WEEE). By ensuring this product is disposed of correctly, you will help prevent potential negative consequences for the environment and human health, which could otherwise be caused by inappropriate waste handling of this product. The symbol on the product indicates that this product may not be treated as household waste. Instead it shall be handed over to the applicable collection point for the recycling of electrical and electronic equipment. Disposal must be carried out in accordance with local environmental regulations for waste disposal.

For more detailed information about treatment, recovery and recycling of this product, please contact your local council, your household waste disposal service or the retailer where you purchased the product..

Please keep this instruction manual for future reference

## ELECTRICAL CONNECTION

### **CONTACT A QUALIFIED ELECTRICIAN FOR THE ELECTRICAL CONNECTION OF THIS PRODUCT**

Before connecting the appliance to the electrical mains, ensure that the technical data (voltage: V and frequency: Hz ) indicated on the rating plate concur with those of the electrical mains.

This appliance has a 3amp fuse rating.

If in doubt, contact a qualified electrician.

If the plug is disconnected from the electrical power cord , a qualified electrician will be required to insert and connect the appliance . Contact a qualified technician who is knowledgeable of local standards and of any additional regulations issued by the local electric company , and who ensures that work is carried out in compliance with these standards.

#### **IMPORTANT:**

Check that the appliance is correctly connected to an approved earth wire to ensure electrical safety. If necessary, have the system checked by a qualified electrician. If the electrical outlet is no longer accessible after insertion, or if a fixed connection is to be made, the installer must provide a separation device for each pole.

Valid separation devices include switches with a contact opening of at least 3mm. Caple shall not be held liable for damage to individuals or property due to lack or interruption of the earth wire.

#### **ATTENTION: EARTH CONNECTION IS REQUIRED BY LAW.**

If the appliance is connected to the mains with an extension cord. Make sure that the extension cord and the connection are insulated against humidity.

Never open the covering of the appliance if you come into contact with wires that carry voltage or if you modify the electrical and mechanical structure of the appliance , it is possible that the appliance will malfunction during operation.



If installation, maintenance and repair work is not carried out correctly, there may be hazards for the user. Caple declines all liability for this type of personal injury or property damage. During the warranty period, repairs may be carried out by authorised service agents only. Otherwise, guarantee coverage will be void.

Installation, repair and cleaning work are to be carried out only with the machine disconnected from the electrical mains. The appliance is disconnected from the electrical mains in the following cases:

- The main switch of the electrical system is off.
- The safety switch is off.
- The appliance is unplugged.

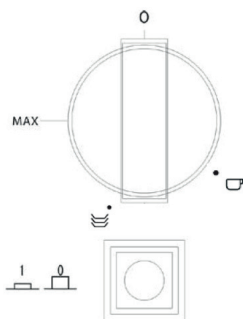
### **USEFUL INFORMATION**

The appliance is designed exclusively for the heating of dishes which are suited for this purpose. The appliance is equipped with a hot air system. A fan creates excellent distribution of warmth from the drawer heating element. Air circulation heats the dishes evenly and quickly. A protection grille prevents contact with the heating element and the fan. The base of the drawer is covered with anti-slip material to keep dishes from moving when it is opened or closed.

## BEFORE THE FIRST USE

- When using the appliance for the first time. Clean it as follows:
- Clean the surface with a soft cloth and then dry it.
- Pre-heat the empty drawer for at least two hours. Turn the temperature knob to the maximum setting, in order to eliminate any residual grease, oil, or manufacturing resins which may cause unpleasant odours during heating.
- Air out the room.
- Upon completion of this operation, the appliance is ready to be used for the first time.

## APPLIANCE CONTROLS



The control elements are the temperature knob and the luminous ON-OFF switch. With the switch pressed (position 1) the drawer is on, whereas when the switch is released (position 0) the drawer is off. These parts can be seen only when the drawer is open. When the drawer is closed, a control light located on the front of the appliance lets you see whether the drawer is on.

## OPERATION

- Place the dishes in the drawer
- Select a temperature
- Turn on the appliance; the switch will light up
- Close the drawer gently
- Turn off the appliance before removing the heated dishes.

Please keep this instruction manual for future reference

## TEMPERATURE SELECTION

The temperature knob lets you select a temperature between approximately 30°C and 75°C. Turn the temperature knob clockwise only, until it reaches its stop position (MAX). Do not force it beyond this point, otherwise the thermostat will be damaged.

The temperature scale does not show absolute temperatures in °C, but rather symbols that represent the best temperature for respective groups of dishes, i.e. cups - approx. 40°C.

### **For cups or glasses - approx 40°C**

When contained in glasses which are previously heated to this temperature, hot beverages do not cool so rapidly and the container can nonetheless be touched without any problem.

### **Plates/dishes - approx. 60°C**

Foods placed in these dishes will stay warm longer. Depending on personal sensitivity, the dishes can be touched without any danger. Use mitts or pot holders if necessary.

### **MAX approx. 75°C**

For dishes.

The thermostat is set to the maximum temperature.

The containers can be touched with appropriate mitts or pot holders.

## HEATING TIMES

The time required to heat dishes, glasses and so on depends on several factors:

- Material and thickness of the dishes
- Amount of load
- Arrangement of load
- Temperature setting

For this reason it is not possible to provide absolute information.

It is advisable to determine the best settings for your needs based on practical experience.

## TROUBLESHOOTING

Repair of electrical appliances is to be carried only by qualified, authorised service agents.

Improperly or incorrectly performed repairs may create further hazards for the safety of the user.

Various factors affect heating time, for example:

Material and thickness of dishes, size of load, arrangement of load, temperature setting. Optimal heating times for dishes are subjective. Therefore, it is advisable to determine them on a trial and error basis according to your own preferences.

Troubles	Solution
If the dishes are not warm enough	the appliance is on
	the right temperature has been set
	the heat outlets have been covered by large plates or bowls
	the dishes have been heated for a sufficient period of time.
If the dishes do not get warm	there is fan noise: the fan is working, but the heating element might be defective
	if the fan is not working, it may be defective
	the main switch of the electrical system is off.
If the dishes overheat:	the electrical power cord is unplugged or damaged
	the temperature setting device may be defective
The on/off switch does not light up when the appliance is switched on:	the control light of the switch is defective

If the problem still persists, please contact Caple service for assistance:

T - 0117 938 7420

E - [service@caple.co.uk](mailto:service@caple.co.uk)

# INSTALLATION

## **Safety instructions for installation**

Before connecting the appliance to the electrical mains, compare the connection data (voltage and frequency) indicated on the rating plate with the data of the electrical mains.

The data must match, otherwise the appliance may be damaged.

If in doubt, contact a qualified technician.

Make sure that the electrical outlet is easily accessible even after the appliance has been inserted. The warming drawer can only be inserted with other appliances with a maximum weight of 40 kg that are provided with adequate cooling ventilation.

For installation with combination appliances, follow the instruction and building in dimensions shown in the 'Installation dimensions' section.

Insertion and installation of this appliance may be performed by qualified personnel who ensure safe operating conditions.

## **Insertion space measurements**

The dimensions of the housing are obtained from the size of the warmer drawer plus measurements of the appliance combined with it.

## LOAD CAPACITY

Load capacity depends on the size of the dishes.

The following examples are approximate.

Also remember that drawer can sustain a maximum weight of 25kg.

This warming drawer is designed to hold 6 place settings.

Or a choice of :	
16 plates	ø26cm
24 soup dishes	ø22cm
30 soup bowl	ø10cm
10 plates	ø28cm
10 pizza plates	ø36cm
60 espresso cups	
30 cappuccino cups	
30 glasses	

Note: These examples are a guide only. The actual quantities may differ.

## CARE AND CLEANING

Cleaning operations are to be undertaken only when the machine is disconnected from the electrical mains. The appliance is disconnected from the electrical mains in the following cases:

- The main switch of the electrical system is off.
- The safety switch is off.
- The appliance is unplugged.

When unplugging the appliance, do not pull on the cord. Take hold of the plug and remove.

Clean all surfaces with a soft sponge, a bit of detergent and lukewarm water. Then dry all surfaces with a soft cloth.

### **IMPORTANT:**

The area of the grille for the protection of internal components and the area of the switch and thermostat must not be cleaned with water.

Any penetration of liquids or other substances into electrically live parts may cause failures or short circuits, creating hazards for the user.

The front of the appliance can easily scratch if mistreated.

The glass surface should be cleaned with a special non-abrasive product.

### **Do not use:**

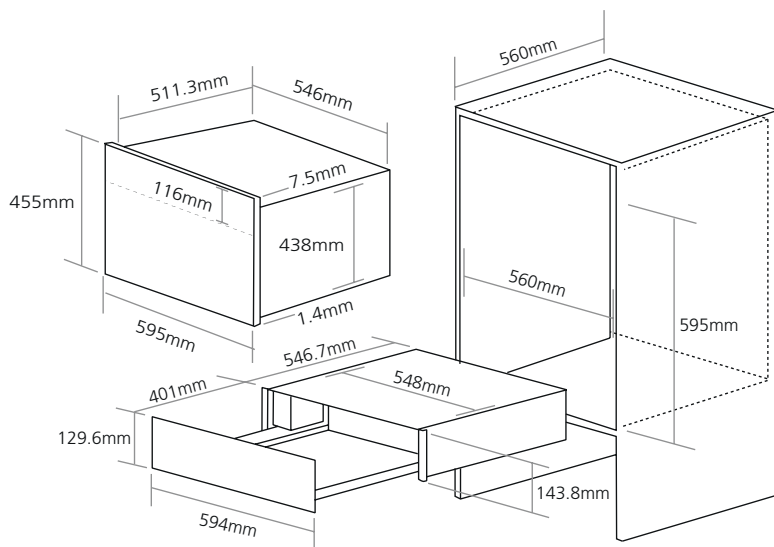
Detergents that contain soda, acids or chloride, abrasive detergents (powder or cream) abrasive sponges (e.g. steel wool pads) or sponges that contain residual abrasive detergent.

### **Anti-slip bottom**

The anti-slip bottom of the drawer can be cleaned for thorough cleaning of the drawer. The bottom can be hand-washed with warm water and a gentle detergent. Dry thoroughly afterwards.

Put the anti-slip bottom back in the drawer only when it is completely dry.

## INSTALLATION DIMENSIONS



\*Please note the 45cm oven dimensions may vary from the above depending on which model is used

Please keep this instruction manual for future reference



---

## TECHINICAL DATA

Total power:

380-460W

Connection and protection:

AC 220-240V/50 Hz

Please keep this instruction manual for future reference

Please keep this instruction manual for future reference

---

Please keep this instruction manual for future reference

Caple Service  
Fourth Way  
Avonmouth  
Bristol  
BS11 8DW

t: 0117 938 7420  
e: [service@caple.co.uk](mailto:service@caple.co.uk)  
[www.caple.co.uk](http://www.caple.co.uk)

Please keep this instruction manual for future reference