

**Serie | 8, Built-in fully automatic coffee machine, Stainless steel CTL636ES6**



**Included accessories**

1 x assembly screws, 1 x scoop, 1 x test strip, 1 x milk container (insulated), 1 x connection hose for milk frother, 1 x milk pipe

**The built-in coffee center with Home Connect: offers unparalleled variety with highest comfort.**

- Different coffees require the espresso shot to be heated at a different temperature to achieve the perfect result. sensoFlow does this automatically, providing delicious beverages again and again.
- **Cappuccino:** Any coffee or milk speciality at the touch of a button - even two cups at the same time
- **AromaDouble Shot:** Extra-strong coffee without the bitterness thanks to two specialised grinding and brewing processes
- **Home Connect:** Home appliances with smart connectivity for an easier everyday life
- **steam blast:** A fully-automatic steam cleaning after every beverage takes complete care of the daily cleaning of the milk system

**Technical Data**

Frothing nozzle :	No
Water protection system :	No
Portion sizes :	All cups
Dimensions of the product (mm) :	455 x 594 x 375
Dimensions of the packed product (HxWxD) (mm) :	540 x 478 x 670
Required niche size for installation (HxWxD) :	449 x 558 x 356
EAN code :	4242002858166
Electrical connection rating (W) :	1600
Current (A) :	10
Voltage (V) :	220-240
Frequency (Hz) :	50/60
Plug type :	Gardy plug w/ earthing



4 242002 858166

## Serie | 8, Built-in fully automatic coffee machine, Stainless steel CTL636ES6

### The built-in coffee center with Home Connect: offers unparalleled variety with highest comfort.

#### Flavour

- "sensoFlow system" - Innovative heating system
- One-touch function for Espresso Macchiato, Latte Macchiato, white coffee, Cappuccino, personalised milk mix beverage
- aromaDouble Shot - Extra strong coffee without compromise in aroma
- Beverage temperature adjustable individually: Coffee: 3 grades, Hot water: 4 grades
- 

#### Convenience

- TFT display with interactive menu
- 8 personalised beverages Save 8 favourite beverages with individual names and adjustable mixing ratio of milk and espresso
- 
- Cappuccino: Prepare two cups simultaneously for all coffee varieties
- Removable 2.4 litre water tank
- Early warning when bean container or water tank are close to empty
- 

#### Performance

- "silent ceram drive" - Premium ceramic grinding unit
- yes: The grinding unit automatically adjusts to bean variety
- One-touch coffee milk specialities with especially fine-pored milk froth thanks to an innovative milk frother
- In addition to beverages also available separately: milk foam, warm milk, hot water
- Reduced heat up time: fastest first cup
- Water pump with 19 bar pressure
- Separate container for pre-ground coffee
- 

#### Home Connect

- Discover the new way of controlling home appliances: by app. The Home Connect app allows you to access the appliance

from anywhere - at home using WiFi, when away from home using the mobile phone network.

- Remote start: Select and configure beverages in the app, then remotely start the beverage preparation
- CoffeePlaylist: Enter multiple beverage wishes in the app at once, e.g. for visitors; the appliance will then prepare them one after another
- CoffeeWorld: 17 additional international coffee specialties are available in the app - from Australian Flat White to Vienna Melange to Colombian Cortado
- Coffee recipes: The app offers a variety of recipes involving coffee, which can be transferred to the appliance or a Home Connect capable oven - from Espresso Crème brûlée to saddle of venison with coffee crunches
- Coffee know-how: The app includes interesting knowledge around the topic coffee, e.g. bean varieties, harvesting methods or roasting techniques
- User manual: A digital user manual is ready to hand at all times in the app
- Customer service: In case of technical problems, the Bosch customer service is able to access the appliance virtually - if you want so
- Security: Security is of top priority at Home Connect. The Home Connect app has been tested and certified by TÜV IT. And the encrypted data transfer via Home Connect protocol protects against unauthorised access.

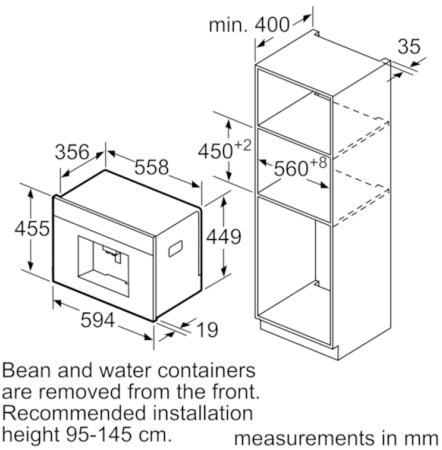
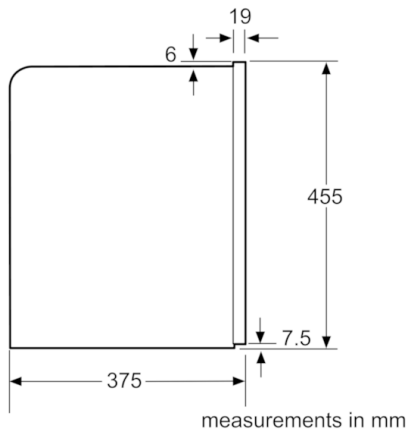
#### Hygiene

- Removable brewing unit: Easy and hygienic cleaning under running water
- steam blast: Fully-automatic steam cleaning of the milk system after every beverage
- All milk nozzle parts are easily removable, separable, easy to clean and dishwasher proof
- yes: Complete emptying of all pipes after each brewing process
- Automatic quick rinse programme when switched on or off
- Removable drip tray including container for coffee grounds
- Fully automatic descaling & cleaning programme
- Display of remaining cups before Cleaning, Change of water filter, Decalcification
- Containers for water, milk and coffee beans are easily accessible but hidden behind a door, so the kitchen always looks clean
- Bean container with aroma preserving lid for up to 500grams
- Illumination for keys, yes
- Adjustable grind settings (multilevel)
- Different display languages available
- Child lock: prevents unintended use of machine
- Wattage: 1600 W

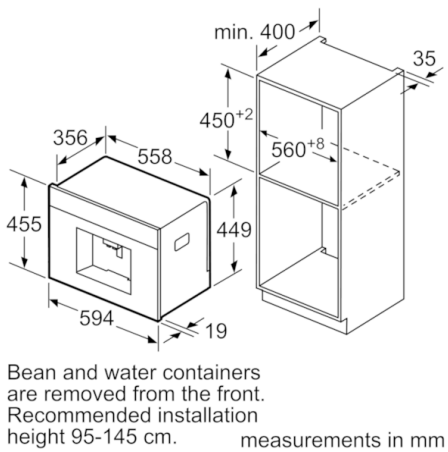
**Accessories**

- Separate milk container with thermally insulated aluminium housing (0.7 l volume)
- Included accessories: 1 x assembly screws, 1 x scoop, 1 x test strip, 1 x milk container (insulated), 1 x connection hose for milk frother, 1 x milk pipe
-

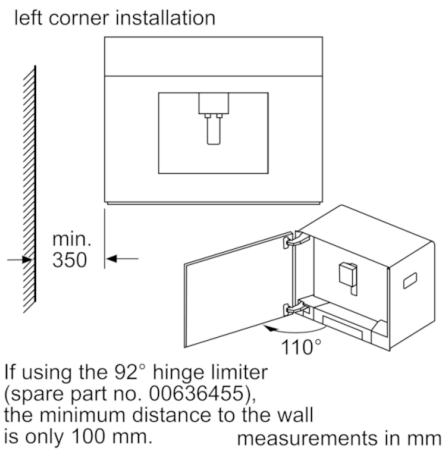
**Serie | 8, Built-in fully automatic coffee machine, Stainless steel  
CTL636ES6**



Bean and water containers are removed from the front. Recommended installation height 95-145 cm.



Bean and water containers are removed from the front. Recommended installation height 95-145 cm.



If using the 92° hinge limiter (spare part no. 00636455), the minimum distance to the wall is only 100 mm.

