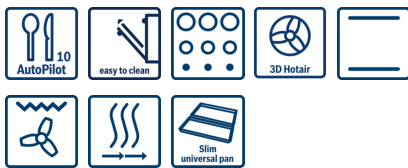


## Serie | 4, Built-in oven, Stainless steel HBS573BS0B


**A**


### Included accessories

2 x combination grid  
1 x universal pan  
2 x Universal pan  
slim size

### Optional accessories

HEZ530000 : Half tray  
HEZ531000 : Baking tray, grey enamelled  
HEZ531010 : Baking tray, non-stick ceramic coated  
HEZ538000 : 1fold telescopic rail, level independent  
HEZ625071 : Grill tray, anthracite enamelled  
HEZ634000 : Baking and roasting grid (standard)  
HEZ636000 : Glass pan  
HEZ638300 : 3 level telescopic rails, full ext  
HEZ915003 : Glass roasting dish, 5,4 L

## The built-in oven with AutoPilot: automatically prepares perfect dishes.

- **3D Hotair:** perfect results thanks to optimal distribution of heat on up to 3 levels simultaneously.
- **AutoPilot 10:** every dish is a perfect success thanks to 10 pre-set automatic programmes.
- **Red LED display control:** easy-to-use thanks to the time functions.
- **Pyrolytic self-cleaning:** no cleaning effort thanks to pyrolytic cleaning programmes.
- Easy to clean grey enamel interior
- **Slim Universal Pans:** 2 universal pans, slim size; optimised for smaller dishes

### Technical Data

Color / Material Front :	Stainless steel
Construction type :	Built-in
Integrated Cleaning system :	Pyrolytic
Required niche size for installation (HxWxD) :	585-595 x 560-568 x 550
Dimensions of the product (mm) :	595 x 594 x 548
Dimensions of the packed product (HxWxD) (mm) :	675 x 690 x 660
Control Panel Material :	Stainless steel
Door Material :	Glass
Net weight (kg) :	38.945
Usable volume of cavity (l) :	71
Cooking method :	Conventional heat, Full width grill, Hot Air, Hotair gentle, Hot air grilling
First cavity material :	Other
Temperature control :	No control of the temperature
Number of interior lights :	1
Approval certificates :	CE, VDE
Length of electrical supply cord (cm) :	120
EAN code :	4242005034161
Number of cavities (2010/30/EC) :	1
Energy efficiency class (2010/30/EC) :	A
Energy consumption per cycle conventional (2010/30/EC) :	0.99
Energy consumption per cycle forced air convection (2010/30/EC) :	0.81
Energy efficiency index (2010/30/EC) :	95.3
Connection rating (W) :	2990
Current (A) :	13
Voltage (V) :	220-240
Frequency (Hz) :	50; 60
Plug type :	no plug



4 242005 034161

## Serie | 4, Built-in oven, Stainless steel HBS573BS0B

**The built-in oven with AutoPilot:  
automatically prepares perfect dishes.**

### Design

- LED-display control (red)
- Drop down door
- Retractable control dials, Rotary dial
- Straight bar handle
- Cavity inner surface: Enamel grey

### Features

- Automatic start  
Heating-up indicator  
AutoPilot
- Electronic door lock  
Control panel lock  
Automatic safety switch off
- AutoPilot10
- Electronic clock timer
- Halogen interior light
- 5 shelf positions

### Cleaning

- Pyrolytic self-cleaning function
- Full glass inner door

### Programmes/functions

- Oven with 5 heating methods: 3D hot air, conventional top and bottom heat, Hotair grilling, full width variable grill, Hotair gentle

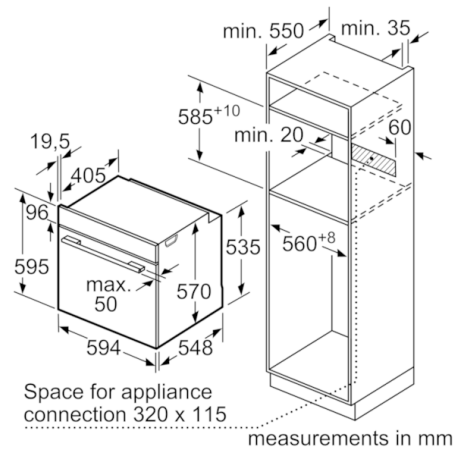
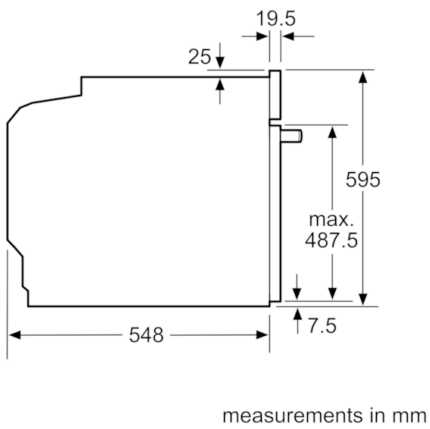
### Standard accessories

- 2 x combination grid, 1 x universal pan, 2 x Universal pan, slim size

### Performance/technical information

- Energy efficiency rating (acc. EU Nr. 65/2014): A  
Energy consumption per cycle in conventional mode: 95.3  
Energy consumption per cycle in fan-forced convection mode: 0.81 kwh  
Number of cavities: 1  
Cavity volume: 71 litre capacity
- Temperature range 50 °C - 275 °C
- Integral cooling fan
- Length of mains cable: 120 cm
- Total connected load electric: 2.99 KW
- Nominal voltage: 220 - 240 V
- Appliance dimension (hxwxh): 595 mm x 594 mm x 548 mm
- Niche dimension (hxwxh): 585 mm - 595 mm x 560 mm - 568 mm x 550 mm
- Please refer to the dimensions provided in the installation manual

**Serie | 4, Built-in oven, Stainless steel  
HBS573BS0B**



Installation with a hob.

