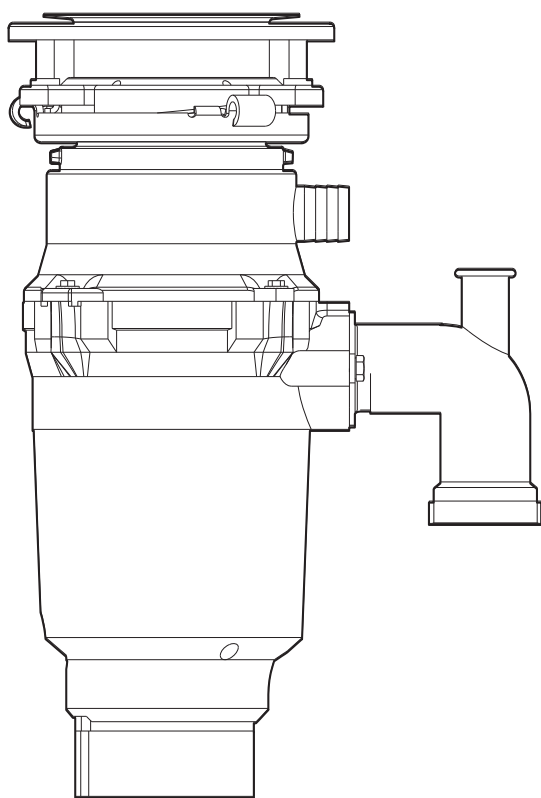
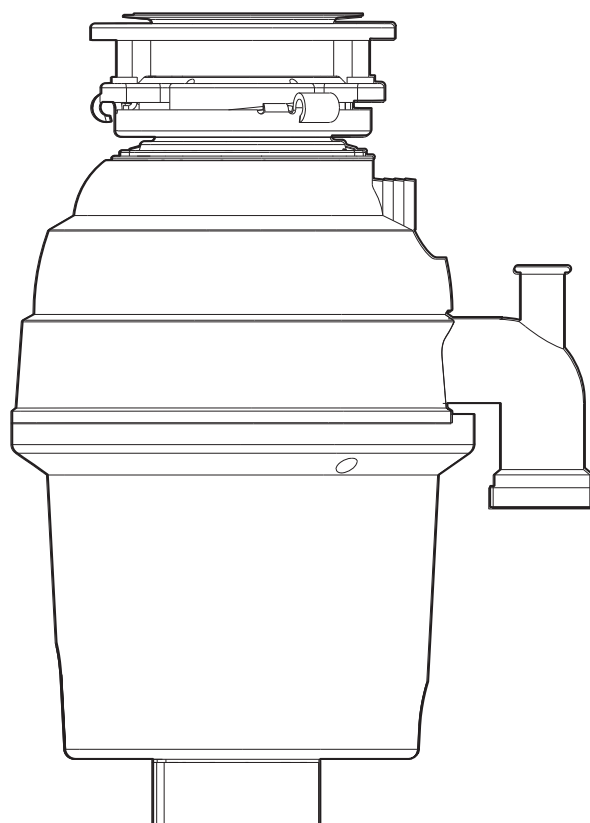


FOOD WASTE DISPOSER

User and installation manual



CE-50



CE-75



CARRON
PHOENIX

TABLE OF CONTENTS

ABOUT THIS MANUAL	4
INTENDED USE	4
SAFETY INFORMATION	4
ASSEMBLY PARTS	5
REMOVAL OF OLD UNIT	6
PLUMBING CONNECTION	6
INSTALLATION OF MOUNTING ASSEMBLY	7
Electrical connection	8
Attaching discharge elbow	9
Air switch operated	9
OPERATING INSTRUCTION	10
Continuous feed	10
TROUBLESHOOTING	11
CLEANING AND MAINTENANCE	11
DISPOSAL	12

ABOUT THIS MANUAL

This user manual applies to several models of the device. Thus it may be possible that some of the described features and functions are not available on your specific model.

CARRON reserves the right to make modifications to the product without prior notice. All information correct at time of issuance.

- ▶ Keep the user manual.
- ▶ Use the device described in this user manual only according to the intended use.

Symbol Meaning



Warning symbol. Warning against risks of injury.



Actions in safety and warning notes to avoid injury or damage.



Action step. Specifies an action to be done.



Result. Result of one or more action steps.



Precondition that has to be fulfilled before performing the following action.

INTENDED USE

The food waste disposer is an electrical device to be installed under the sink in order to shred food waste into pieces.

Make sure that the authorities permit the installation of the waste disposer.

- ▶ Use the waste disposer only for food waste.

SAFETY INFORMATION

INSTRUCTIONS PERTAINING TO A RISK OF FIRE, ELECTRIC SHOCK OR INJURY TO PERSONS.

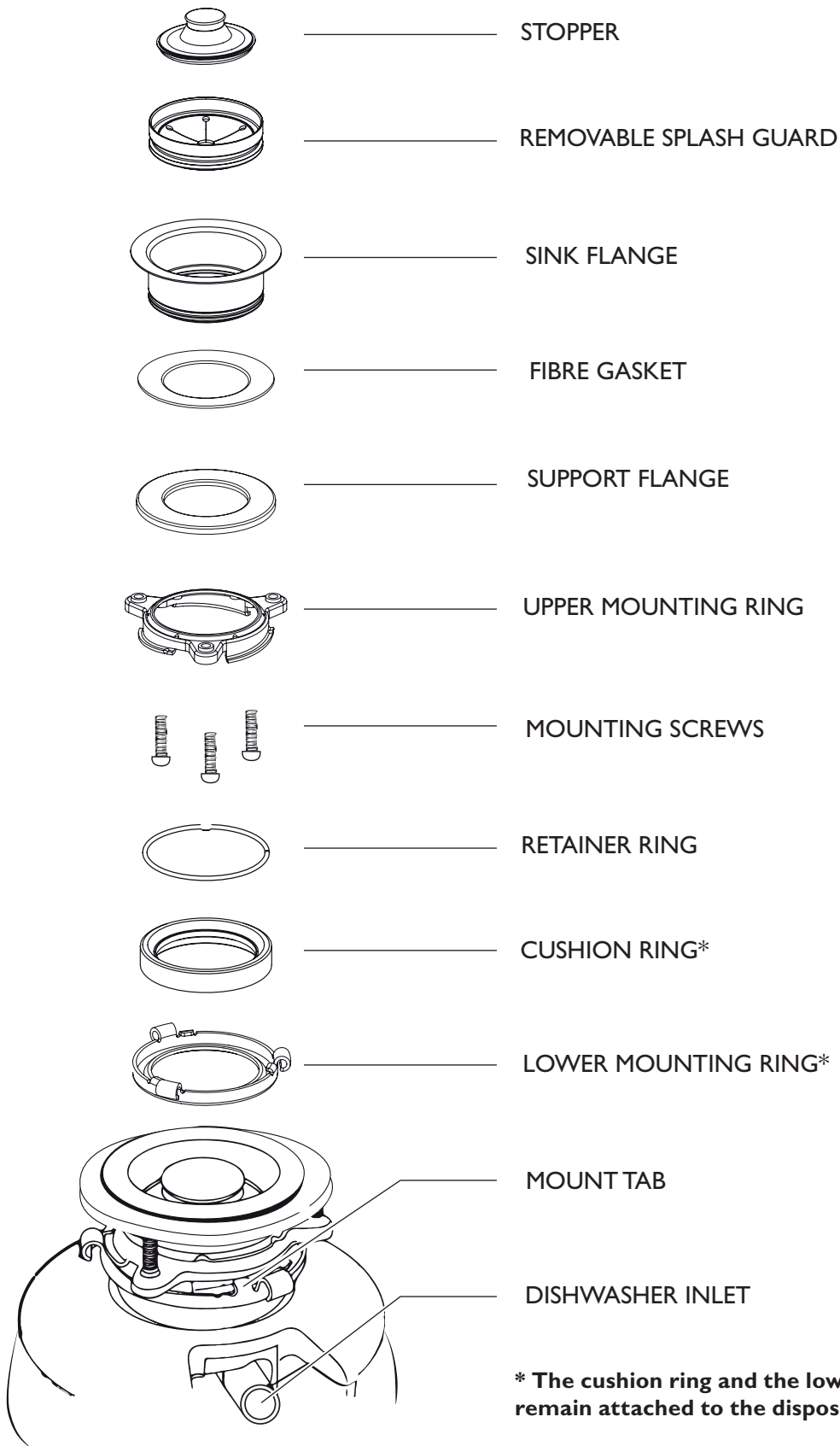


WARNING: When using electrical appliances, basic precautions should always be followed, including the following:

- ▶ Read all instructions before using the appliance.
- ▶ To reduce the risk of injury, close supervision is necessary when an appliance is used near children.
- ▶ Do not put fingers or hands into a waste disposer.
- ▶ Turn the power switch to the off position before attempting to clear a jam or remove an object from the disposer.
- ▶ When attempting to loosen a jam in a waste disposer, use a long wooden object such as a wooden spoon or the wooden handle of a broom or mop.
- ▶ When attempting to remove objects from a waste disposer use long-handled tongs or pliers. If the disposer is magnetically actuated, non-magnetic tools should be used.
- ▶ To reduce the risk of injury by materials that may be expelled by a waste disposer, do not put the following into a disposer: clam or oyster shells; caustic drain cleaners or similar products; glass, china or plastic; large whole bones; metal, such as bottle caps, tin cans, aluminum foil or utensils; hot fat or other hot liquids; whole corn-husks.
- ▶ When not operating a disposer, leave the stopper in place to reduce the risk of objects falling into the disposer.
- ▶ **DO NOT** operate disposer unless splash guard is in place.
- ▶ For proper earthing instructions see the **Electrical connection** portion of this manual.
- ▶ **This Food Waste Disposer has been designed to operate on 220-240V~, 50/60 Hz exclusively. Using any other voltage or Hz adversely affects performance.**

The receptacle to which this appliance is connected must be controlled by a switch.

ASSEMBLY PARTS



REMOVAL OF OLD UNIT

TYPICAL INSTRUCTIONS, YOUR MODEL MAY VARY.

- ▶ Before starting this step, **turn off electrical power** at the circuit breaker or fuse box.
- ▶ **Unplug disposer.**

If your old mount is the same type as the mount on your new disposer, just reverse the assembly instructions found in **INSTALLATION OF MOUNTING ASSEMBLY**. If your new mount system is different, follow these instructions:

- ▶ Have a container available to catch any excess water / waste from current disposer.
- ▶ Use a pipe wrench to disconnect drain line where it attaches to disposer discharge elbow (fig. **1A**).
- ▶ Remove disposer from sink flange by turning mounting ring to the left clockwise (fig. **1B**). If you are unable to turn the mounting ring, tap on one of the extensions from the ring with a hammer. Some mounting systems have tubular extensions. Inserting a screwdriver into one tube will provide additional leverage for turning the mounting ring (fig. **1B**). Some disposers may require the removal or loosening of nuts from the mounting screws (fig. **1C**). Some disposers may require the removal of a clamp.

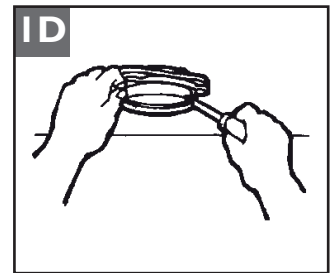
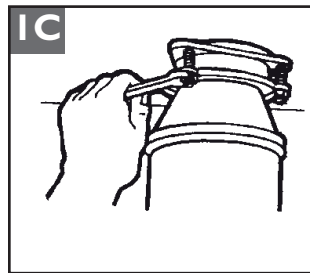
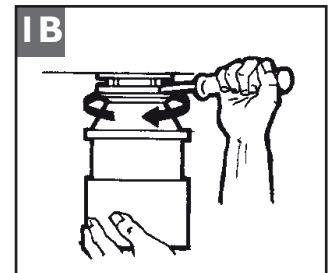
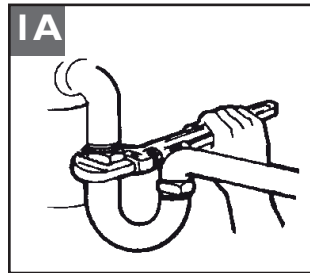
CAUTION: Be sure to support the disposer while performing this step or it may fall when the mounting ring is disconnected from the mounting assembly.

- ▶ To remove remaining mounting system from the sink, loosen the screws, push mounting ring up. Under it is

the snap ring. Use screwdriver to pop off ring (fig. **1D**). Remove the mounting ring, protector ring and gasket from sink flange. Some mounts will require the unscrewing of a large ring holding the sink flange in place. Pull sink flange up through sink and clean off old putty from sink.

- ▶ Ensure that sink is clean and thoroughly dry.

IMPORTANT: This is a good time to clean out the trap and drain lines by running a drain auger or plumber's snake before installing your new disposer.

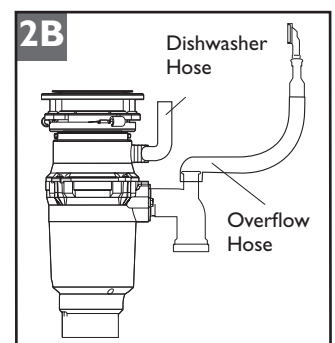
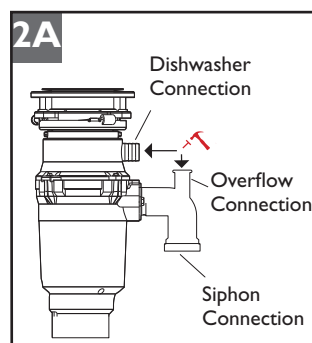


PLUMBING CONNECTION

If dishwasher and/or overflow is **not to be connected** go on to next section.

If you are utilizing a dishwasher, this should preferably be connected directly to the relevant connection in the siphon. If a dishwasher connection is not available in the siphon, complete the following procedure:

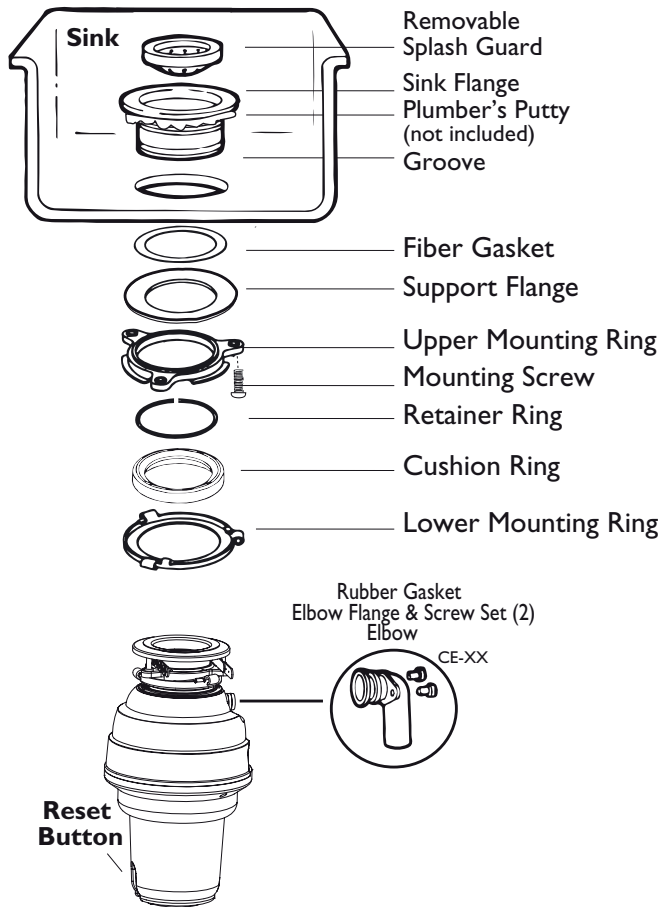
- ▶ Using a blunt instrument (steel punch or wooden dowel), knock out entire plug (fig. **2A**). Do not use a screwdriver or sharp instrument. (When knockout plug falls into disposer, you may remove it or grind it up when the disposer is used. This will not damage the disposer in any way, but may take some time to grind).
- ▶ Connect overflow hose (fig. **2B**) using hose clamp. If hose size is different, you need a stepped rubber adaptor.



- ▶ Connect dishwasher hose (fig. **2B**) using hose clamp. Make sure all plumbing connections are tight and in accordance with all plumbing codes and ordinances. Run water and check for leaks.

INSTALLATION OF MOUNTING ASSEMBLY

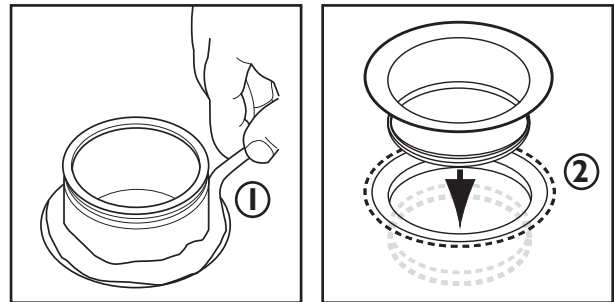
3



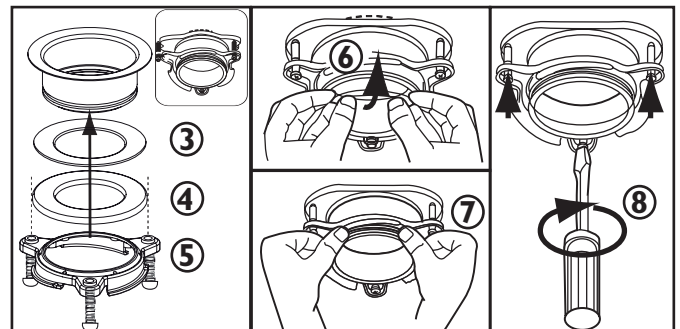
NOTE: The mounting components are assembled out of the box in the same order they will be assembled on the sink, so please pay close attention to the order of the mounting system components before you disassemble them.

- ▶ **The cushion ring and the lower mounting ring will remain attached to the disposer during installation.** Disassemble the other components of the mounting assembly by rotating lower mounting ring clockwise until the lower mounting ring tabs slide off from the upper mounting ring ramp. This will allow you to separate the upper assembly from the remaining lower mounting assembly.
- ▶ Unscrew the 3 mounting screws until the upper mounting ring can be moved to the top of the support flange. Remove the retainer ring with a screw driver.
- ▶ Keep the remaining parts placed together in the order they were removed. Before you connect the disposer to the mounting assembly under the sink, make sure the lower mounting ring is in place and the black cushion ring is still engaged properly to the top of the disposer opening.
(Do not remove the cushion ring.)
- ▶ Be sure the sink is clean. Install a bead of plumber's putty to the sink flange (1). From top of the sink, push the sink

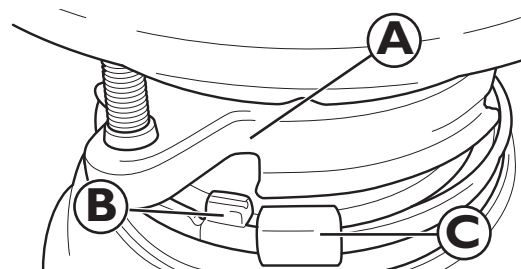
flange down against the sink opening to make a good seal (2). **Do not move or rotate** the sink flange once it has been seated or the seal may be broken.



- ▶ Place a heavy object, such as the disposer (use a towel to prevent sink scratching) on top of the sink flange to hold it down.
- ▶ Take the remaining portion of the mounting assembly, that was put aside. From under the sink insert the fibre gasket (3), then the support flange (4), and then the upper mounting ring (5).
- ▶ Hold the three parts in place while attaching the retainer ring (6) by pulling it apart and sliding it onto the sink flange (7) until it snaps into the groove of the sink flange (7).



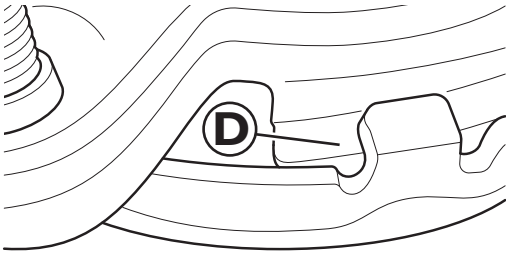
- ▶ Tighten the three mounting screws evenly and firmly against the supporting flange (8). Do not over tighten.
- ▶ Trim off any excess plumber's putty.
- ▶ Attach disposer onto the upper mounting ring by aligning the three mounting tabs on the lower mounting ring with the slide-up ramps on the upper mounting ring and rotating counter clockwise.



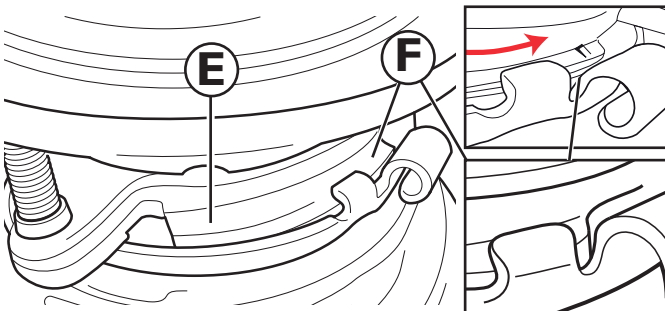
- ▶ The lower mounting ring (which is part of the disposer) has 3 tabs that grab the mounting ring ramp.
(A) points to the upper mounting ring.
(B) is the tab that slides up onto the "Ramp".

(C) is the „Ear“ that is used to help rotate the lower mounting ring.

- ▶ Use a screwdriver for leverage if needed.



- ▶ Lift and turn the lower mounting ring counter clockwise until all three mounting tabs lock over the ridges (F) on the slide-up ramps (D) of the upper mounting ring.



- ▶ As the lower mounting ring is turned counter clockwise each tab slides up onto the upper mounting ring ramp (E) and locks in position over the ridges (F).
- ▶ Use a screwdriver or hammer for leverage if needed.
- ▶ If a disposer needs to be removed, tapping on the Ear clockwise with a hammer will easily loosen the lower mounting ring.

Electrical connection

- ▶ Connect disposer to appropriate household current only.

The receptacle to which this appliance is connected must be controlled by a switch.

WARNING: Improper connection of the equipment-earthing conductor can result in a risk of **electric shock**. Check with a qualified electrician or serviceman if you are in doubt as to whether the appliance is **properly earthed**. Do not modify the plug provided with the appliance if it will not fit the outlet. Have a **proper outlet installed** by a qualified electrician.

Earthing instructions

FOR WASTE DISPOSERS EQUIPPED WITH AN EARTHED PLUG-IN POWER CORD

- ▶ This appliance must be earthed. In the event of a malfunction or breakdown, earthing provides a path of least resistance for electric current to reduce the

risk of electric shock. This appliance is equipped with a cord having an equipment-grounding conductor and a grounding plug.

- ▶ The plug must be plugged into an appropriate outlet that is properly installed and grounded in accordance with all local codes and ordinances.
- ▶ If the supply cord is damaged it must be replaced by the manufacturer, its service agent or similarly qualified person in order to avoid a hazard.

Removing an attached power cord or plug voids the warranty.

The following UK Electrical Section is for United Kingdom only - skip if not applicable.

WHEN USING THE ATTACHED PRE-WIRED MOULDED PLUG AND LEAD (fig. 3A)

- ✓ These disposers are engineered to be connected to a 220/240 V~50/60 Hz electrical supply through the attached three-pin plug and into a wired socket.
- ✓ The disposer must be protected by a BS 1363 13 Amp fuse. The fuse is included within the moulded plug and lead, attached to the disposer.
- ✓ The 13 Amp double pole switched spur switch should be positioned higher than the sink countertop and at a minimum of one meter from the side of the sink, away from water splashes and out of the reach of children. This spur switch must be a double pole with at least 3mm contact separation in each pole. 20 Amp DP switches BS 3676 meet this condition.
- ✓ To avoid accidentally leaving the disposer running, a switch with a neon indicator lamp is suggested.
- ✓ A 13 Amp ASTA approved fuse, to BS 1363 must be fitted in the fuse carrier of this spur switch.

ELECTRICAL CONNECTIONS:

- ▶ Simply insert the plug into the socket wired as previously described.

WHEN NOT USING THE PRE-WIRED PLUG BUT WIRING DIRECT WITH FIXED WIRING (fig. 3B).

- ✓ The switches used must be double pole type and have at least a 3mm contact separation in each pole (20 Amp DP switches to BS 3676 meet this requirement). Prepare the tips of the wires of the electrical lead and attach to the junction box.
- ✓ Disconnect the junction box from the electrical supply before making the following connections:
- ✓ The green and yellow wire must be connected to the terminal marked in one of the following ways:
 - with the letter „E“
 - by the earth symbol (\perp)
 - coloured green or green and yellow.
- ✓ The brown wire must be connected to the terminal that is marked with the letter „L“.
- ✓ The blue wire must be attached to the terminal that is marked with the letter „N“.

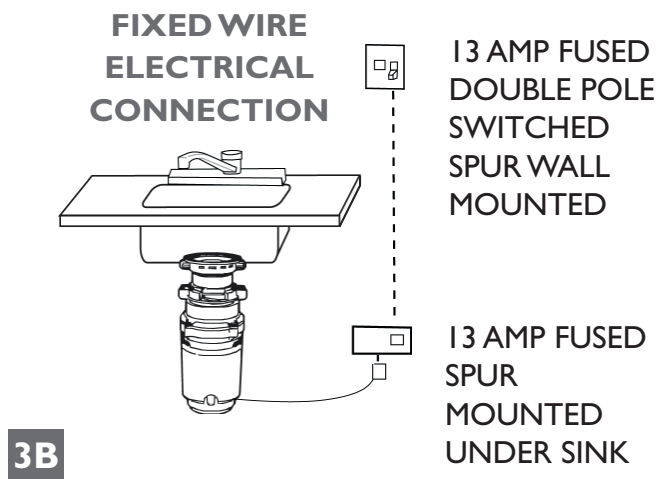
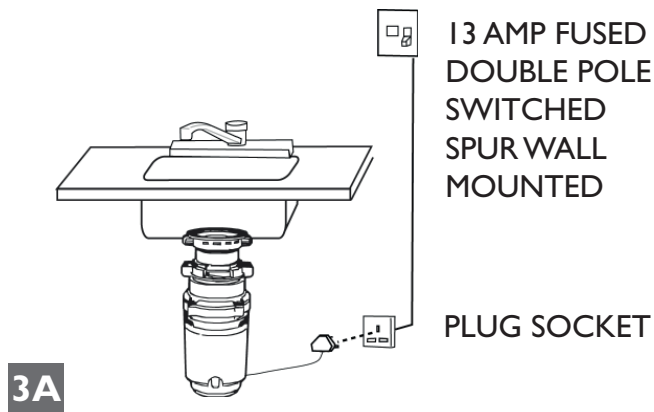
(NOTE: As your disposer has a moulded plug on the lead and the plug is not to be used, cut it off and dispose of it wisely. A moulded plug with a loose lead with disconnected wires can be hazardous as an **electrical shock hazard** could occur should such a plug be inserted into a 13 Amp socket anywhere within the home.)

IS THE DISPOSER EARTHED?

WARNING: this appliance must be earthed! In the event of a malfunction or breakdown, earthing reduces the risk of shock. This disposer must be connected to an earthed, metal, permanent wiring conductor and connected to the equipment earthing terminal or lead on the disposer.

ELECTRICAL CONNECTION FOR DISPOSER PROVIDED WITH PREWIRED MOULDED PLUG AND LEAD.

For continuous feed only
- not batch feed



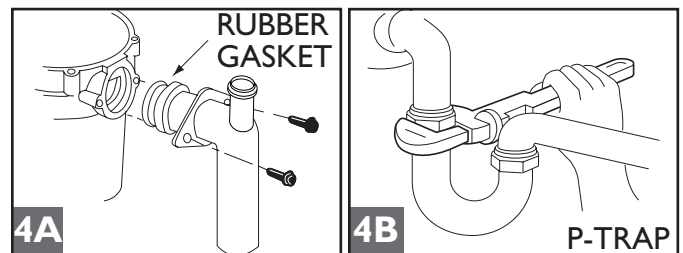
Replacing the fuse in moulded plugs

- ✓ The correct fuse cover must be refitted when changing the fuse.
- ✓ Remove the fuse cover and slide the fuse out.
- ✓ Replace it with a 13 Amp ASTA fuse (approved to BS 1363). Should the fuse cover be lost or damaged, an

exact replacement should be used. These are available from an approved service agent, listed below. Never use the plug without the fuse cover fitted.

Attaching discharge elbow

- ▶ Connect the waste elbow to the disposer by sliding the flange against the rubber gasket on the elbow and tightening the screws into the disposer (fig. 4A). Then connect bottom of the elbow by tightening the slip nut (fig. 4B). If using a straight pipe, it must have a lip similar to the one on the elbow. Remove the gasket from the elbow and install it on the straight pipe with the flat end of the gasket facing toward the disposer discharge opening.



If you are connecting to a dishwasher, return to PLUMBING CONNECTION section (2A-B). If not, make sure all plumbing connections are tight and in accordance with all plumbing codes and ordinances. Run water and check for leaks.

Air switch operated Disposer Air Switch Assembly

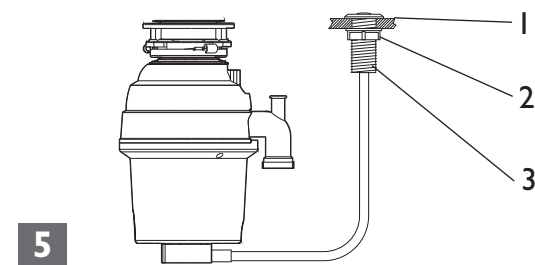
The Actuator which consists of:

1. Actuator Button
2. Actuator Nut
3. Actuator Outlet (Threaded portion)

THE AIR SWITCH SENSOR ENCLOSURE which is installed into the disposer. Only the air tube nozzle is visible from the outside of the disposer.

AIR TUBE ASSEMBLY which consists of:

4. Air Tube-Clear or black
5. Air Tube Nut



Installation and Operating Instructions

- ▶ If a hole does not already exist - drill a hole of 35 mm to 40 mm into the sink or countertop where the actuator button (1) is to be placed.
- ▶ Insert, from the top, the actuator outlet through the drilled hole.
- ▶ Thread the actuator nut (2) onto the actuator outlet (3) and tighten firmly by hand.
- ▶ Firmly connect air tube: one side to actuator outlet (3) and one side to sensor inlet.
- ▶ Plug disposer power cord into main electrical service.
- ▶ To turn on disposer, press actuator button (1). To turn off, press actuator button again.

Suggestions

- ▶ Be sure disposer is empty before using your dishwasher so it may drain properly.
- ▶ You may want to leave the stopper in the sink drain when not in use to prevent utensils and foreign objects from falling into the disposer.
- ▶ Your disposer is sturdily built to give you many years of trouble free service. It will handle all normal food wastes, but it will NOT grind or dispose of such items as plastic, tin cans, bottle caps, glass, china, leather, cloth, rubber, string, clam and oyster shells, aluminum foil or feathers.

OPERATING INSTRUCTIONS

Your disposer is Continuous Feed if you did not specifically purchase a Batch Feed Disposer.

Continuous feed

The Anti-Jam Swivel Impellers make a clicking sound as they initially swing into place. This indicates normal operation.

- ▶ Remove sink stopper. Turn on a medium flow of cold water.
- ▶ Turn switch to ON position; your motor will be turning at full speed and ready to use.
- ▶ Scrape in food waste. Down the drain go table scraps, peelings, rinds, seeds, pits, small bones and coffee grounds. To speed up food waste disposal, cut or break up large bones, rinds and cobs. Large bones and fibrous husks require considerable grinding time and are more easily thrown away with other trash. Do not be alarmed that the disposer slows down while grinding. The disposer is actually increasing torque (grinding power) and is operating under normal conditions.
- ▶ Before turning disposer off, let water and disposer run for approximately 15 seconds after shredding stops. This assures that all waste is thoroughly flushed through trap and drain.
- ▶ It is not recommended to use hot water while running disposer. Cold water will keep waste and fats solid so disposer can flush away particles.



CAUTION

- ▷ Cold water recommended.
- ▷ Do not use the food waste disposer with hard materials like glass or metal.
- ▷ Turn the machine off or unplug it while trying to unblock a blocked turntable with a wooden spoon.

DO NOT put inside:

- Caustic Soda and drain cleaning chemicals (Hydrochloric and muriatic acid), as they cause serious corrosion of metal parts. If used, resulting damage can be easily detected and all warranties are void
- Fat and oil in excess
- Plastic materials
- Pumpkins
- Banana skin
- Pineapple Leaves
- Asparagus
- Artichokes
- Shell (es. oyster, mussel, ecc.)
- Medicine
- Metal (bottle top)
- Plastic pieces
- Cow bone a/o large bones

TO BE put inside:

- Corn cobs
- Little bones (es. chicken and rabbit bones)
- Nut shells
- Meat scraps
- Melon and watermelon skins
- Fruit pips
- Grape pips
- Rice
- Coffee Grounds
- Eggshells
- Fishbones
- Fish heads
- Pasta
- Vegetables or vegetable peel
- Cheese
- Bread
- Soup

TROUBLESHOOTING

Before seeking repair or replacement, we recommend that you review the following:

LOUD NOISES (other than those during grinding of small bones and fruit pips): these are usually caused by accidental entry of a spoon, bottle cap or other foreign object.

- ▶ To correct this, turn off electrical switch and water. After disposer has stopped.

UNIT DOES NOT START:

- ▶ Unplug power cord or turn either the wall switch or breaker box switch to “OFF” position, depending on your model and wiring configuration.
- ▶ Remove stopper and /or splash guard. Check to see if turntable will rotate freely using a wooden broom handle. If turntable rotates freely, replace splash guard and check reset button to see if it has been tripped. Reset button is red and located opposite discharge elbow, near the bottom (fig. 3). Push button in until it clicks and remains depressed.
- ▶ If reset button has not been tripped, check for shorted or broken wire connecting to disposer. Check electrical power switch, fuse box or circuit breaker. If wiring and electrical components are intact, the unit may have internal problems that require service or replacement.

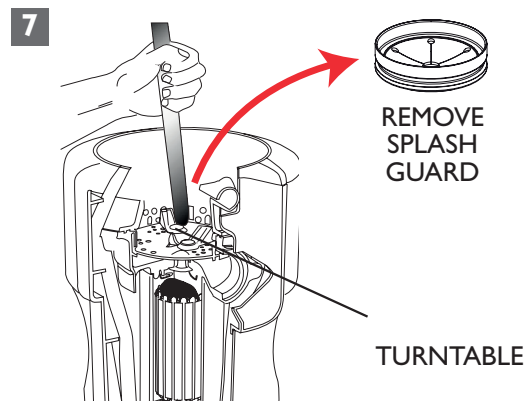
IF TURNTABLE DOES NOT ROTATE FREELY:

- ▶ Turn off disposer, then check for any foreign object lodged between the turntable and grind ring. Dislodge object by rotating table with a wooden broom handle and remove object (fig. 7). If no foreign object is present, there may be internal problems.

LEAKS: If the unit leaks at the top, it may be due to:

- Improper seating of sink flange (gasket centering, putty or tightening).
- Support ring not tightened properly.
- Defective or improperly installed cushion mount.

If unit leaks at the waste elbow, leak may be due to improper tightening of elbow flange screws.



CLEANING AND MAINTENANCE

DO NOT ATTEMPT TO LUBRICATE YOUR DISPOSER!

The motor is permanently lubricated. The disposer is self cleaning and scours its internal parts with each use. **Never** put caustic soda or chemical drain cleaners, as hydrochloric and muriatic acid, products for unclogging the sink drain, into the disposer, as they cause serious corrosion of metal parts.

If used, resulting damage can be easily detected and all warranties are void. Mineral deposits from your water can form on the stainless steel turntable, giving the appearance of rust. Do not be alarmed, the stainless steel turntables used will not corrode.

DISPOSAL



The symbol on the product or on the packaging indicates that the device must not be disposed of in the domestic waste.

By disposing of the device in a proper way you help to avoid harmful consequences to environment and health.

Further information about recycling the device is available from the competent authority, the local refuse disposal service or the vendor of the device.

- ▷ Dispose of the device, which is to be discarded, via a specialised waste collection point for electronic and electrical devices.

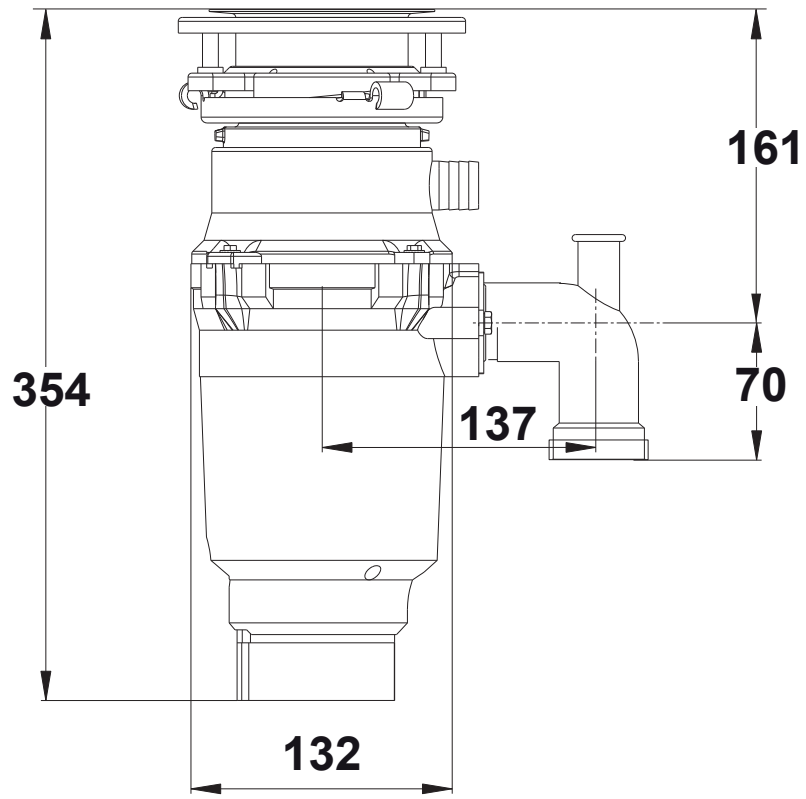
In accordance with the article of Legislative Decree no. 15 dated 25 July, Implementation of Directive 2002/96/EC regarding the reduction of the hazardous substances used in electrical and electronic appliances, and waste disposal”.

The barred dustbin symbol on the appliance indicates that at the end of its working life the product must not be disposed of as household waste.

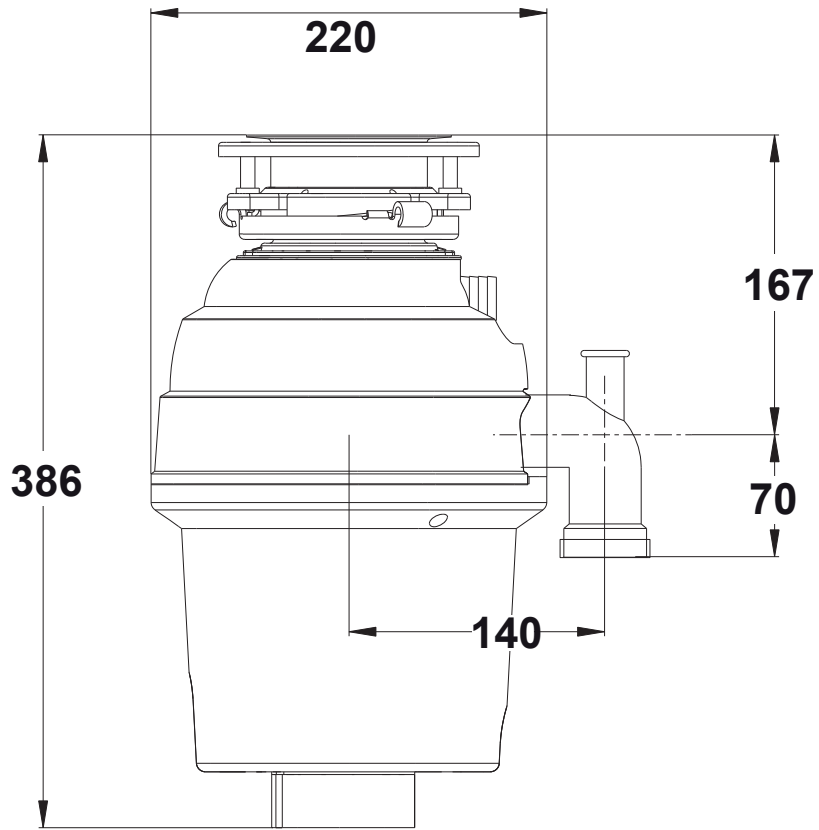
Consequently, when the appliance has reached the end of its working life the user must take it to a suitable recycling centre for electronic and electrotechnical waste, or return it to the dealer when purchasing a new appliance of equivalent type.

Proper separate waste collection of the scrapped appliance for subsequent recycling, treatment and environmentally-friendly disposal helps prevent a potentially negative impact on the environment and health and facilitates recycling of the materials used in appliance construction.

The food waste disposer is for domestic use only.



CE-50



CE-75



CARRON
P H O E N I X

United Kingdom

Carron Phoenix
Franke UK Ltd.
Styal Road
Manchester M22 5WB
Phone +44 161 436 6280
Fax: +44 (0)161 436 2180
Email info.uk@franke.com

For spare parts, servicing or any other queries,
visit www.franke.co.uk