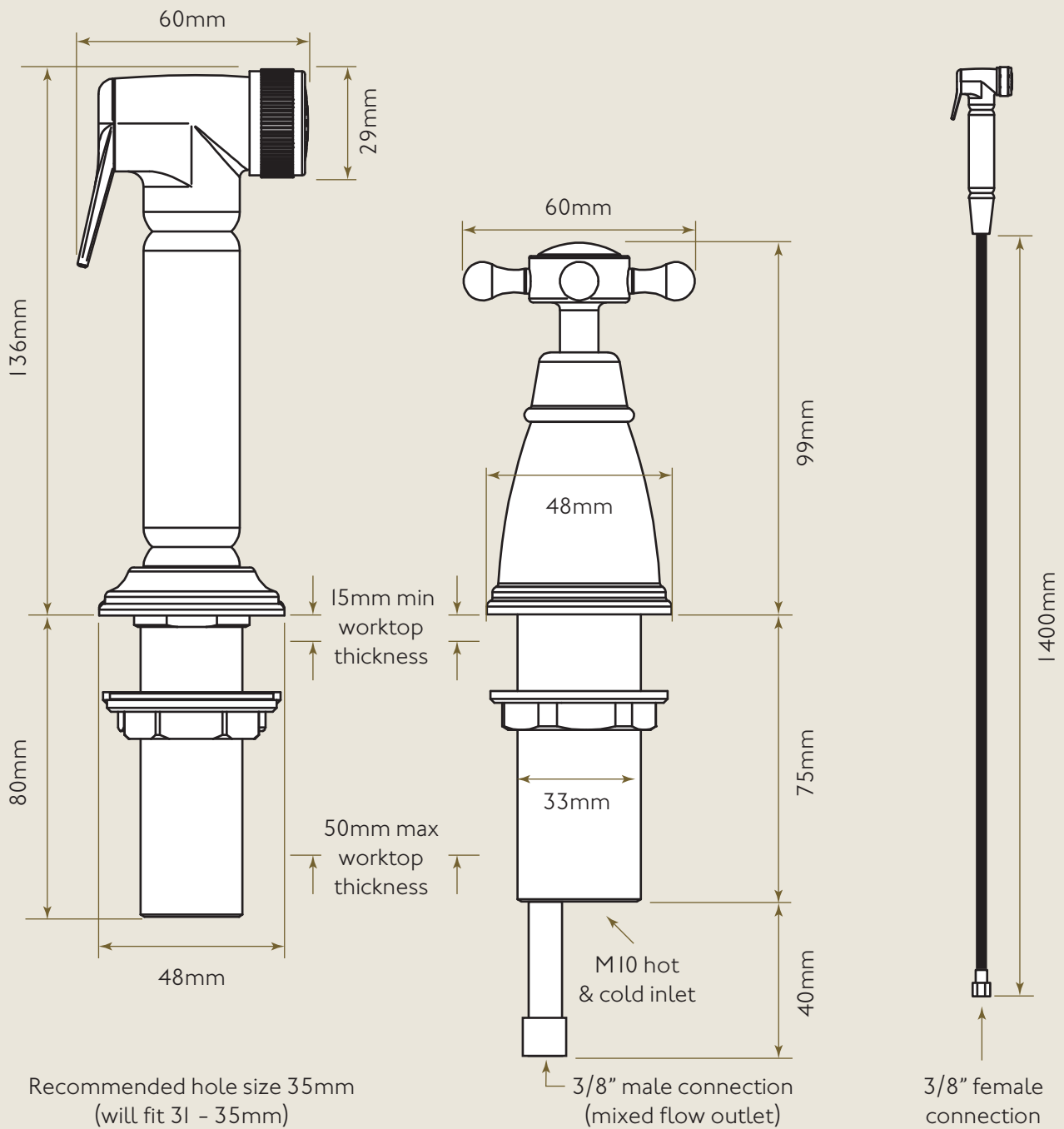


Bidbury & Co.

Traditional Kitchen Tap Collection

Chalford



Recommended hole size 35mm
(will fit 31 - 35mm)

INDEPENDENT SPRAY WITH CROSSHEAD HANDLE