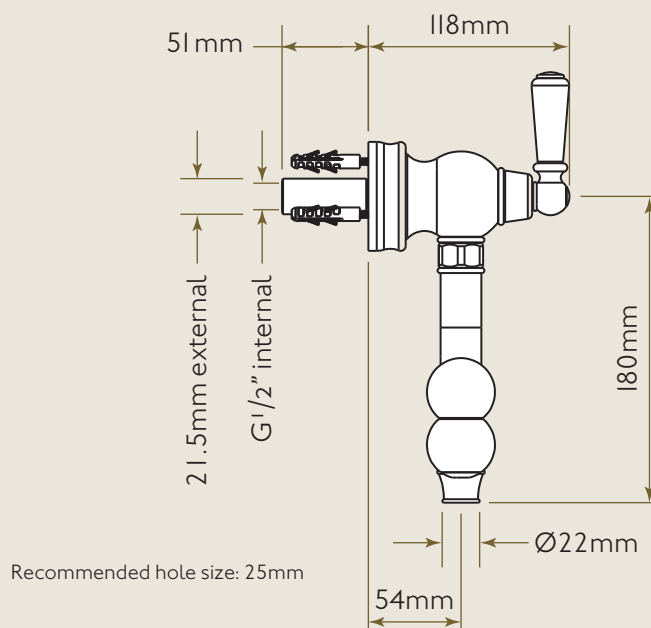
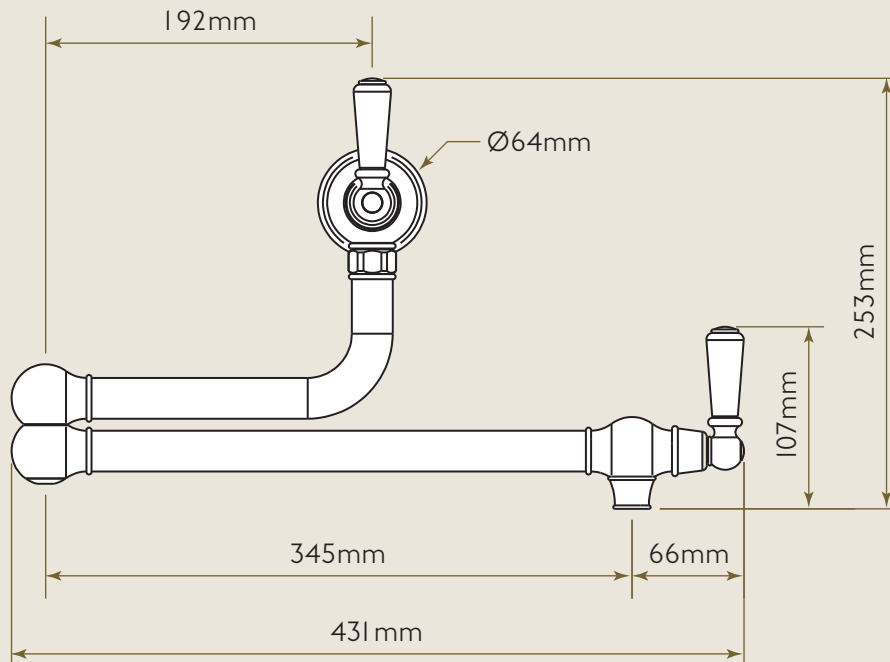


# Bidbury & Co

## Traditional Kitchen Tap Collection

### Aldsworth



ENSURE CORRECT PRESSURE BEFORE FITTING:  
Minimum operating pressure 1.0 Bar  
Recommended operating pressure 2.0 Bar  
Maximum operating pressure 3.0 Bar

TWIN LEVER POT FILLER WITH LEVER HANDLES