

## AFTER CARE

To maintain the appearance of this tap, ensure that it is regularly cleaned only using a clean, soft damp cloth. A solution of warm water and a mild liquid detergent may be used where necessary, and then the fitting rinsed thoroughly and wiped dry. Abrasive cleaners, scouring cleaners and acid cleaners **must not be used** under any circumstances. All bath cleaning powders and liquids will damage the surface of your fitting even the non-scratch cleaners. Avoid contact with all solvents and any harsh household chemicals. You will damage the plated finish and void your guarantee.

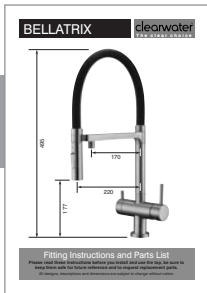
## GUARANTEE AND LIABILITY

In the unlikely event that you should experience any defect in the material or workmanship of your mixer tap within 5 years of purchase, we will replace the faulty part free of charge. Decorative surface finishes are guaranteed for one year from the date of purchase provided that our advise concerning care has been observed and no scouring agents have been used. This is provided that the mixer or tap has been used for normal domestic purposes in the UK and that the care, installation and maintenance instructions have been observed.

Scuff and scratches caused by normal wear and tear, improper installation or accidental damage are excluded from this guarantee.

You should retain a copy of your dated invoice as proof of purchase to validate any claims under this guarantee.

No other warranties, express or implied, are made, including merchantability or fitness for a particular purpose.



Please Keep Me Safe

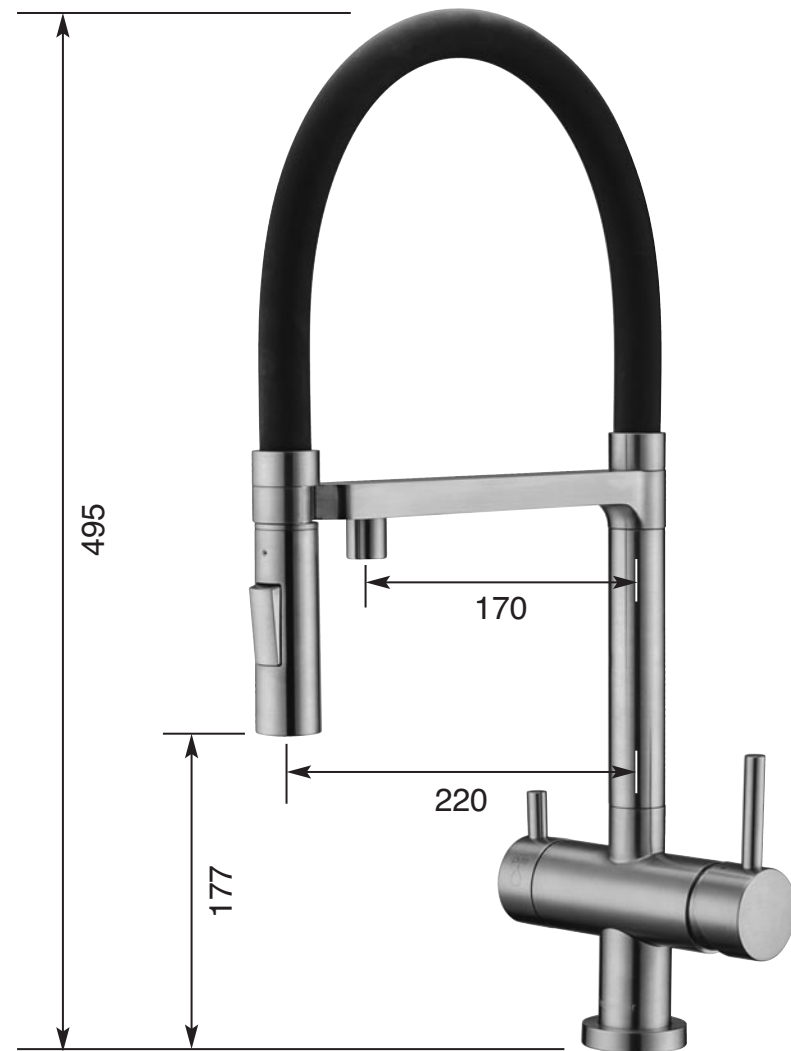
## Spare Parts and Service



Contact: **Sterling**  
Phone: **01684 299555**  
Fax: **01684 290958**  
Email: **sales@sterling.eu.com**  
Website: **www.sterling.eu.com**

# BELLATRIX

clearwater<sup>®</sup>  
The clear choice

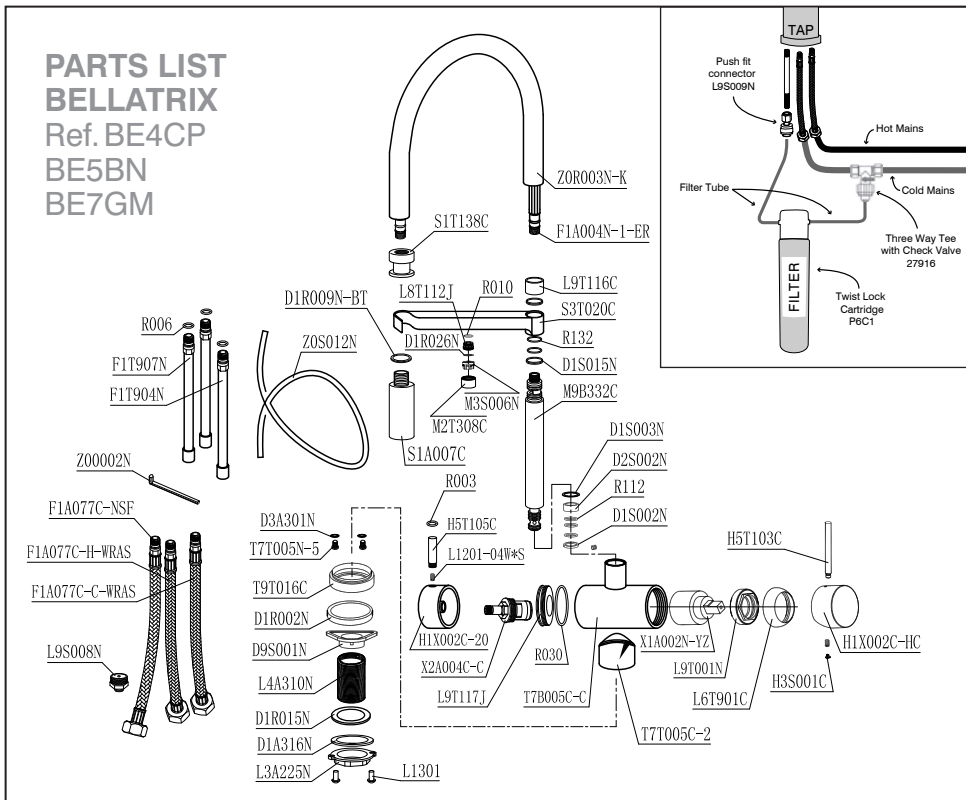


## Fitting Instructions and Parts List

Please read these instructions before you install and use the tap, be sure to keep them safe for future reference and to request replacement parts.

All designs, descriptions and dimensions are subject to change without notice.

**PARTS LIST**  
**BELLATRIX**  
 Ref. BE4CP  
 BE5BN  
 BE7GM



In the unlikely event you find a part missing please contact our Customer Service Helpline on 01684 299555 for immediate despatch of part.

**MAINTENANCE**

**IF THE FITTING BEGINS TO DRIP**

- 1 Turn off the water supply
- 2 Loosen grub screw under handle lever, remove handle and valve
- 3 Carefully clean seating, rubber washer and ceramic disc
- 4 Replace valve and handle, then turn on the water supply
- 5 If problem persists contact our helpline quoting the product code

Where an aerator is fitted to the outlet of the spout, it will need occasional cleaning. This will be evident when the water flow slows down to an unacceptable level. To accomplish this unscrew the outlet in an anti-clockwise direction and remove the mesh. Immerse the mesh in a suitable descaling fluid overnight, rinse thoroughly in clean water and re-install.

**REMEMBER**

Maximum water supply pressure **5 bar (75PSI)** Minimum water supply pressure **1.0 bar**  
 Maximum hot water supply temperature **70°C**  
 Recommended hot water supply temperature **65°C**

If these temperatures or water pressure are exceeded, damage to the tap can result. A pressure reducing valve may be required to be fitted in high water pressure situations.

**It is very important that you read through the following instructions BEFORE you install and use the tap.**

**PREPARATION**

We strongly recommend installing particle filters and isolation valves to both hot and cold feeds. This will help to prevent premature failure of valves and make any future maintenance easier. Flush the plumbing system before installing the mixer tap. This is to void plumbing residues clogging the mesh of the aerated outlet, or possibly damaging the valve's washers. This is especially important where extensive plumbing work has been carried out. First shut off your water heating system then, with your mains stop cock closed, open the lowest hot and cold taps in the house and allow to run until the cold storage tank and pipes are empty. (The hot water storage cylinder always remains full).

**INSTALLATION**

- Screw the flexi-tails into the mixer body, and fully hand tighten. Do not attach the filter tail in till the tap has been passed through the tap hole, as it will be tight getting the tails through the tap hole.
- Pass the rubber washer over the flexi-tails and threaded stud to form a seal on sink top with the tap plinth.
- Pass the flexi-tails and fixing stud through the sink top from above and place the mixer in position on the sink.
- Slide the flat washer and fixing nut up the flexi tails, and then screw the nut all the way up making sure the tap is in the correct position. Screw the 1/2" bsp to 1/4" push fit connector into the bottom of the filter tail.
- It is recommended that 15mm x 15mm compression fitting be used to connect mixer to supply pipes.
- Use the 3 way tee with shut off lever to spur off the cold water mains pipe, attach the john guest 3/8" to 1/4" bsp connector (Ci320816FS) to the Tee (27916).
- Install one way valve to 3 way tee, prior the cold tap tail (this is optional).
- Install the twist lock head to the cupboard carcass leaving adequate room to remove the filter.
- Install the twist lock cartridge.
- Cut 1/4" tube into two pieces, adequate so that it reaches your filter head. Simply push the tubes into the filter head holding the little tab back. Do the same for the connection into the 1/2" bsp to 1/4" connector.
- Having first checked all the new connections, turn on the mains stop cock, close all taps except the new mixer and as the system starts to refill check for leaks.
- **FOR BEST RESULTS**  
 Run off around 5 litres of water from the filter line prior to drinking. Reduce the filter water flow to around 2 litres per minute by adjusting the 3 way tee shut of valve (27916). This will maximise the filter contact time  
 The filter must be changed at least every 12 months. We suggest changing the cartridge every 6 months in normal household usage (filter life 4000 litres usage).
- **USING OTHER FILTERS / WATER SOFTENING SYSTEMS**  
 Make sure that the filter line isn't over pressurised, as this filter line is only design for a maximum of 4 litres per minute and may fail if over pressurised. Install a pressure reducing valve in such instances.
- **OTHER**  
 Remember to fill in and send off your free post warranty form.