

# Moderno 3010

## Side tap

Filtered steaming hot water side taps - FH3010

**FEATURES:**

- Hot only tap - dispenses near-boiling water
- For use with an InSinkErator instant hot water tank and filtration system (sold separately)
- Self-closing hot valve for automatic shut off
- Handle moves forward to avoid hitting backsplash
- Spout swivels 360° for convenience

**MATERIAL:**

- Reverse osmosis certified and compatible per NSF/ANSI 58
- Solid brass construction
- Corrosion resistant ceramic disc valve

**FINISHES:**

Chrome | Brushed Steel | Velvet Black | Polished Nickel

**WARRANTY:**

5-Year In-Home Limited Warranty.  
Covers parts and labor.

The complete InSinkErator warranty is included in the Care & Use booklet with each unit.

**CERTIFICATIONS:**

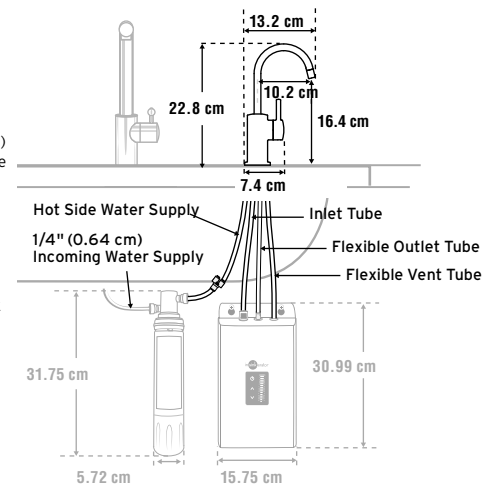
NSF/ANSI 372 • NSF/ANSI 58 • NSF/ANSI 42/53  
NSF/ANSI 61 • ASME A112.18.1 • UPC Certified  
ASSE 1023 • ADA Compliant



**Energy efficient**  
An InSinkErator® steaming hot water tap uses less energy than a 40-watt light bulb.



<b>Supply Connection</b>	1/4" (0.64 cm) Compression and/or push fitting
<b>Required Sink Hole Diameter</b>	1-3/8" - 1-1/2" (3.49 cm - 3.81 cm) Standard Sink Hole
<b>Required Supply Pressure</b>	25-125 psi (172-862 kPA or 1.7-8.6 bar)
<b>Backsplash Clearance for Installation</b>	Minimum 2" (5.08 cm) required from sink hole center to backsplash
<b>Counter Thickness</b>	Maximum of 3" (7.62 cm)
<b>Shipping Weight</b>	3.79 (1.72 kg)



InSinkErator, Suite 10, Building 6, Hatters Lane, Croxley Park, Watford, Herts WD18 8YH. United Kingdom

Sales tel: 01923 297 880  
Service tel: 0800 389 3715  
insinkerator.co.uk

InSinkErator® may make improvements and/or changes in the specifications at any time, in its sole discretion, without notice or obligation and further reserves the right to change or discontinue models. © 2022 InSinkErator®, InSinkErator® is a business unit of Emerson Electric Co. All Rights Reserved.

