

**Series 8, Built-in compact oven with microwave function, 60 x 45 cm, Black CMG7241B1B**



**Included accessories**

2 x combination grid  
1 x universal pan

**Optional accessories**

HEZ531010 : Baking tray, non-stick ceramic coated  
HEZ631070 : Baking tray, anthracite enamelled  
HEZ636000 : Glass pan  
HEZ660060 : Strip  
HEZ915003 : Glass roasting dish, 5,4 L

**The compact microwave oven with Digital Control Ring and TFT-touchdisplay: enables you to achieve perfect baking and roasting results very quickly. Home Connect for control via the App.**

- **Digital Control Ring:** the simple and innovative way to select oven settings.
- **TFT Touch Display:** easy control thanks to an innovative Digital Control Ring and TFT touchscreen.
- **Hotair Gentle:** saves energy while baking and roasting.
- **2D Hotair:** even heat distribution for perfect results on one level.
- **Microwave Boost Function:** quick and easy warming.

**Technical Data**

Type of micro-wave oven : MW-Combi

Type of control : Electronic

Color / Material Front : Black

Dimensions : 455 x 594 x 548 mm

Cavity dimensions : 237.0 x 480 x 392.0 mm

Length of electrical supply cord : 150.0 cm

Net weight : 35.3 kg

Gross weight : 37.6 kg

EAN code : 4242005325948

Maximum micro-wave power : 900 W

Connection rating : 3600 W

Fuse protection : 16 A

Voltage : 220-240 V

Frequency : 50 Hz

Plug type : no plug (electrical connection by electrician)

Cavity dimensions : 237.0 x 480 x 392.0 mm

Included accessories : 2 x combination grid, 1 x universal pan



## **Series 8, Built-in compact oven with microwave function, 60 x 45 cm, Black CMG7241B1B**

**The compact microwave oven with Digital Control Ring and TFT-touchdisplay: enables you to achieve perfect baking and roasting results very quickly. Home Connect for control via the App.**

### **Features**

- Compact oven with microwave with 16 heating methods: conventional top and bottom heat, Hotair grilling, full width variable grill, half width grill, bottom heat, plate warming, Hotair gentle, Conventional heat gentle, Circulating air, Microwave, Circulating air, Conventional heat, Full width grill, Half width grill, Hot air grilling
- Max. Power: 900 W; 5 Microwave power settings (90 W,180 W,360 W,600 W, boost) with Inverter (MW)
- Intelligent microwave inverter technology: For optimised results maximum output power will be regulated to 600 W when used in longer operation for gentler cooking.
- Temperature range 30 °C - 230 °C
- Cavity volume: 45 litre capacity

### **Level independent telescopic rails**

- 3 shelf positions

### **Design**

- Touch controls
- Digital Control Ring
- Cavity inner surface: enamel anthracite

### **Cleaning**

- hydrolyse program

### **Programmes/functions**

- Oven Assistant with Voice Control
- BE61
- Electronic clock timer
- Digital temperature display with proposal  
Actual temperature display Heating-up indicator
- Drop down door, SoftClose, SoftOpen
- BoschAssist
- No
- LED light, Light on/off when oven door opened/closed
- Integral cooling fan
- Home Connect ready

### **Accessories**

- 2 x combination grid, 1 x universal pan

### **Features**

- Maximum window temperature 40° C
- Triple glazed door glazed CoolTouch door
- Control panel lock  
Automatic safety switch off Residual heat indicator Start button Door contact switch

### **Technical information**

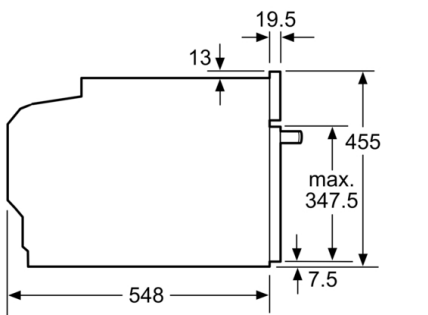
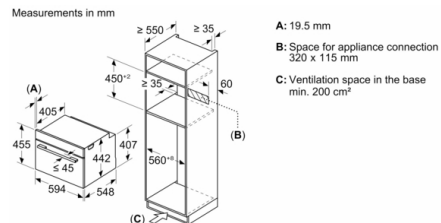
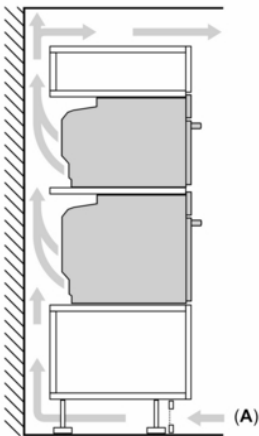
- Power cord length 150 cm Cable length
- Nominal voltage: 220 - 240 V
- Total connected load electric: 3.6 KW

### **Performance/technical information**

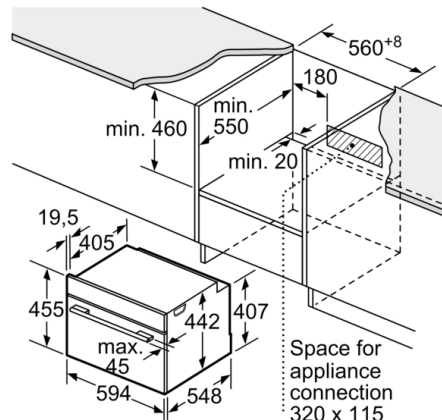
- Appliance dimension (hxwxh): 455 mm x 594 mm x 548 mm
- Niche dimension (hxwxh): 450 mm - 455 mm x 560 mm - 568 mm x 550 mm
- Please refer to the dimensions provided in the installation manual

## Series 8, Built-in compact oven with microwave function, 60 x 45 cm, Black CMG7241B1B

Installing two appliances on top of each other  
Air exchange

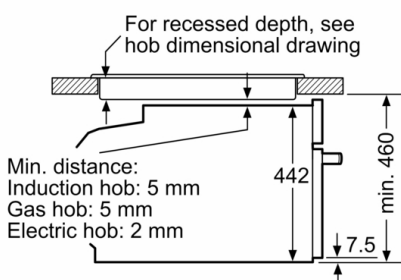


measurements in mm



measurements in mm

Installation with a hob.



measurements in mm

If the compact appliance will be installed underneath a hob, the following worktop thicknesses (including substructure if necessary) must be taken into account.

Hob type	min. worktop thickness	
	fitted	flush
Induction hob	42 mm	43 mm
Full surface Induction hob	52 mm	53 mm
Gas hob	32 mm	43 mm
Electric hob	32 mm	35 mm