

FOLLOW US



Thank you for your valued support and please help us spread the word through social media with images and comments, once your product has been installed.

www.bidburyandco.com    /bidburyandco

Team Bidbury
EXCLUSIVE

REGISTER TODAY TO RECEIVE YOUR FREE EXTENDED WARRANTY

IT'S AS EASY AS 1,2,3!

www.bidburyandco.com/team-bidbury

Bidbury & Co.

CERAMIC SINK



INSTALLATION INSTRUCTIONS

PREPARATION



PLEASE READ THESE INSTRUCTIONS CAREFULLY AND KEEP IN A SAFE PLACE FOR FUTURE REFERENCE.

Handling and Installation of the Sink

1. Safety Precautions:

Sharp Edges: Although we've taken precautions, the material may still be sharp. Always wear protective gloves when handling the sink.

Lifting: Do not lift the sink by the waste hole(s) or tap hole(s). Use two people to handle it safely.

2. Pre-Installation Checks:

Package Inspection: Before starting, check the package for completeness, defects, or transport damage. Faulty products installed after inspection will not be covered by warranty.

Level Surface: Ensure the supporting carcass and worktop are level in all directions to ensure proper water drainage.

3. Site Preparation:

Space and Obstacles: Verify that the surrounding furniture is compatible with the sink's dimensions and that there are no plumbing or wiring conflicts.

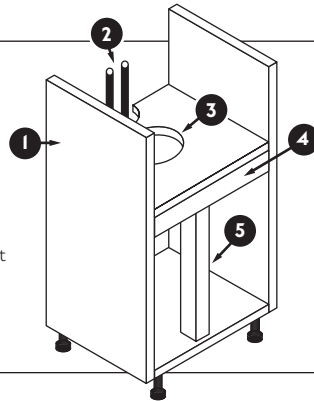
4. Support Structure (Ceramic Sinks):

Braced Shelf: Ceramic sinks should be supported from underneath with a sturdy, braced shelf.

Adjustability: The shelf should allow for minor height adjustments at each corner and be easily removable from below in case of accidental damage.

Level Placement: The shelf height should be adjusted so that the sink's top rim is level with the underside of the worktop.

- 1. Surrounding Cupboards or End Panels:** These elements provide support and enclosure for the sink installation.
- 2. Incoming Supply Pipes:** Hot and cold supply pipes.
- 3. Waste Connection Hole:** The hole for the waste connection should have a minimum recommended diameter of 150mm. It should be centered to the sink waste and shaped to accommodate any protruding underside sections.
- 4. Supporting Shelf:** A moisture-resistant timber or similar material is required for the supporting shelf. Ensure the framework sits directly beneath the product to provide stability.
- 5. Supporting Uprights:** Front and back supporting uprights are necessary to provide structural support for the sink and surrounding cabinetry.



5. Replacing an Existing Sink:

Removal and Cleaning: Remove the old sink and clean the surrounding area.

Cutout Size: Ensure the new sink fits the existing cutout. If necessary, adjust the cutout accordingly.

6. Required Tools:

Basic Tools: Gather the following tools for installation: spirit level, pencil, straight edge, set square, jigsaw, chopsaw, drill and screwdriver bits.

INSTALLATION



Planning and Cutout

- 1. Positioning:** Before cutting the worktop, plan the sink's placement. Consider the bowls, tap, and overflow to avoid interference with surrounding units. Refer to the specification sheets.
- 2. Marking and Cutting:** Carefully mark the cutout using the provided technical drawing. Use a router or CNC cutter to create the cutout, following the manufacturer's instructions. Avoid chipping, cracking, or scratching the worktop. If preparing the cutout on-site, cover open pipes to prevent debris contamination.

Important: Due to variations in ceramic dimensions, we strongly recommend creating a test cutout in scrap material first. Fit the actual sink to the test cutout and adjust the size as needed before cutting the final work surface. The suggested cutout size aligns with the bowl's edge radius, but you can adjust the offset for overhang or setback.

Pre-Installation

- 3. Waste Kit and Overflow:** Install the basket strainer waste kit(s) and overflow as instructed.

Sink Placement and Leveling

- 4. Levelling:** Use a long, straight edge across the surrounding cabinets and sink rim to level the sink with the cabinet tops. Adjust the supporting shelf at the corners as needed.
- 5. Cleaning:** Clean the cutout perimeter on the worktop underside and the upper perimeter of the sink with a degreasing solvent. Allow it to dry completely.

Silicone Seal

- 6. Silicone Application:** Apply a continuous, generous bead of high quality silicone sealant around the upper rim of the sink (see Fig A).

Note: If the cutout is adjusted to either overhang or step back from the sink rim, ensure enough surface area remains for a watertight seal.

- 7. Sink Placement:** Gently position the worktop onto the sink, carefully aligning the sink rim with the cutout for equal spacing on all sides (see Fig B).

- 8. Additional Sealing:** Where possible, apply additional silicone beads inside and outside the adjoining sink and worktop. Clean any excess silicone with a proper silicone cleaner. Allow the silicone to dry completely.

- 9. Waste Connection:** Finally, connect the sink's plumbing pipes to the waste kit(s) following the manufacturer's instructions.

Post-Installation Checks

- 1. Cleaning:** Clean the sink according to the provided care instructions to prepare it for use.
- 2. Level and Drainage:** Ensure the sink is flat against the worktop, straight, and level. Test the drainage by pouring a small amount of water onto the drainer (if applicable).
- 3. Waste Seal:** Close the plugs in all bowls, fill the sink with water below the overflow, and check for leaks around the waste(s).
- 4. Overflow Function:** Close the plugs, fill the sink with water above the overflow, and verify that the water exits through the overflow without leaking.
- 5. Leaks:** Open the plugs and let the water drain. Check the connecting pipework for leaks.
- 6. Silicone Seal:** After the silicone seal has fully cured, check for water tightness and inspect it periodically.

