

InSinkErator® Soap Dispenser

Hygiene is essential in the kitchen. The integrated soap dispenser streamlines your kitchen surface and is an easy to use solution for everyday hygiene.

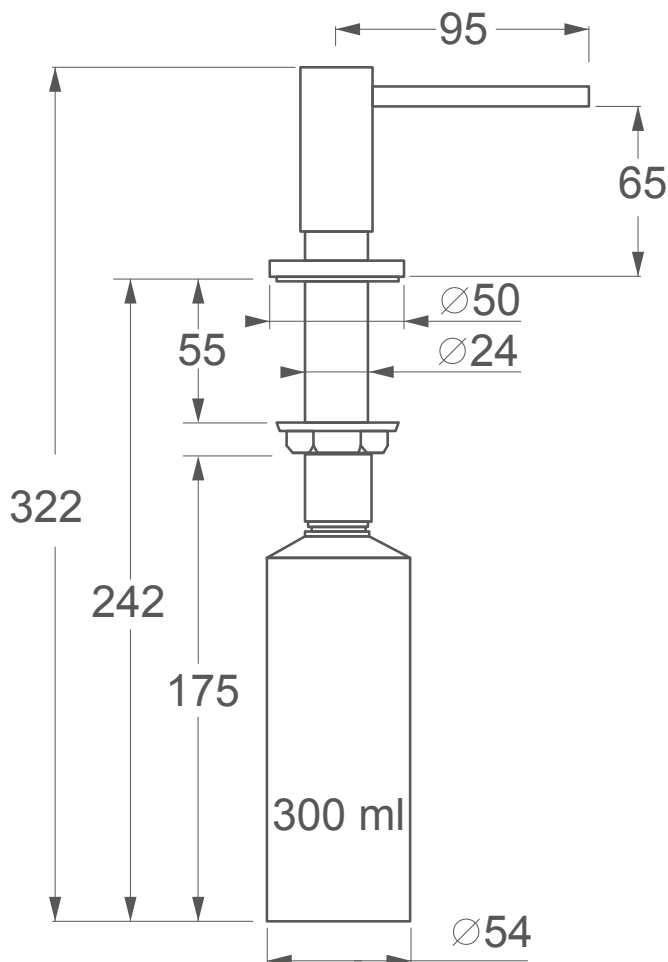
Benefits

- De-clutters kitchen surfaces
- Easy to use operation
- Easily re-fillable
- Solid high quality construction
- Premium design
- 2 year warranty
- Easy to install

Specifications

- Complete installation kit for solid surface mount
- Capacity: 300ml plastic tank
- Dispenser height from surface: 80mm
- Required hole diameter: 24-27mm

Available in 6 finishes - see reverse for individual part numbers and UPC codes



Spare parts



Nozzle
See reverse for part numbers for all finishes







Base
See reverse for part numbers for all finishes



Bottle
See reverse for part number

InSinkErator® Soap Dispenser Part Numbers and UPC codes

	Complete unit	Spare parts		
		Nozzle	Base	Bottle
				
Plastic				
Part Number	-	-	-	45509-ISE
UPC	-	-	-	-
Chrome				
Part Number	45500-ISE	45507-ISE	45508 -ISE	-
UPC	050375023654	-	-	-
Brushed Steel				
Part Number	45500B-ISE	45507B-ISE	45508B-ISE	-
UPC	050375023692	-	-	-
Brushed Gold				
Part Number	45500AX-ISE	45507AX-ISE	45508AX-ISE	-
UPC	050375023722	-	-	-
Rose Gold				
Part Number	45500AT-ISE	45507AT-ISE	45508AT-ISE	-
UPC	050375023708	-	-	-
Black Velvet				
Part Number	45500AW-ISE	45507AW-ISE	45508AW-ISE	-
UPC	050375023715	-	-	-
Satin Black Nickel				
Part Number	45500AY-ISE	45507AY-ISE	45508AY-ISE	-
UPC	050375023777	-	-	-