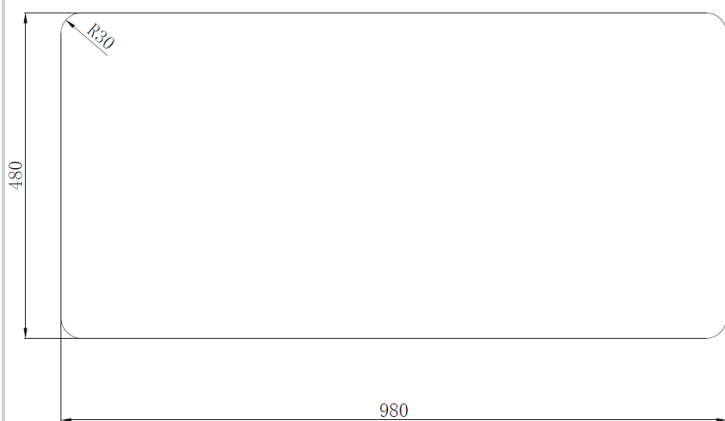
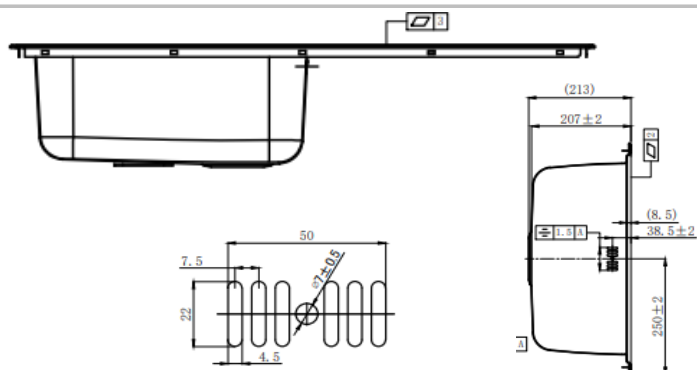
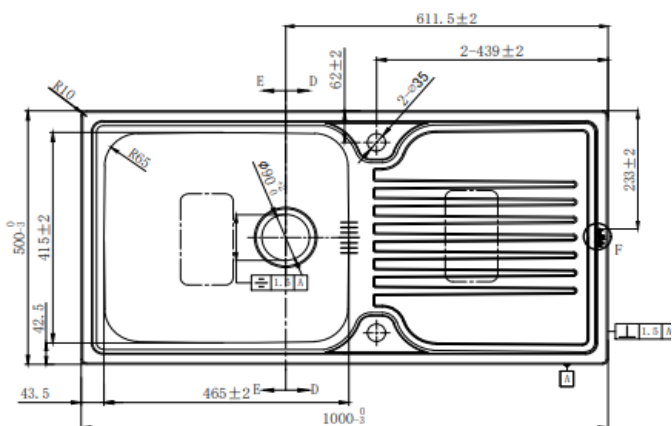
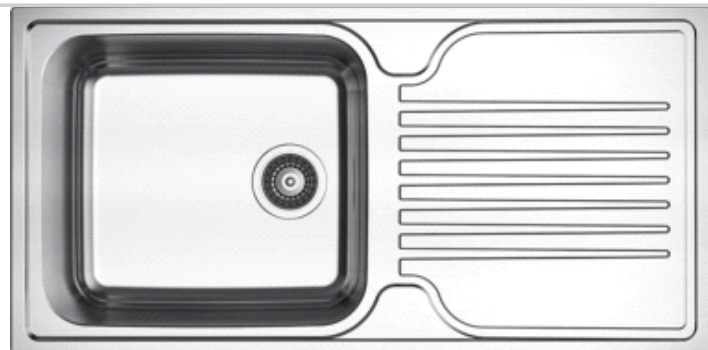


Technical Specification Sheet

SENATOR 10 Single Bowl with Drainer 1156S



Specification

| | |
|---------------------------------|-------------------------|
| Material | Stainless Steel |
| Finish | Polished |
| Colour | Stainless Steel |
| Gauge | 0.8 |
| Welded/Pressed | Welded |
| No. of bowls | 1 |
| Fitting Method | Inset |
| Handing Options | Reversible |
| Cabinet Size (mm) | 600 |
| Overall Length (mm) | 1000 |
| Overall Width (mm) | 500 |
| Overall Depth (mm) | 213 |
| Main Bowl Length (mm) | 465 |
| Main Bowl Width (mm) | 415 |
| Main Bowl Depth (mm) | 207 |
| Second Bowl Length (mm) | N/A |
| Second Bowl Width (mm) | N/A |
| Second Bowl Depth (mm) | N/A |
| Tap Hole Size (mm) | 35 |
| Waste Kit Included (Yes/No) | Yes |
| Clips & Seals Included (Yes/No) | Yes |
| Waste Size (mm) | 90 |
| Waste Kit Code | M 3080 |
| Clips & Seals Code | N/A |
| Overflow Location | Main Bowl, Drainer Side |
| Cut Out Length (mm) | 980 |
| Cut Out Width (mm) | 480 |
| Product Weight (kg) | 3.7 |
| Packed Weight (kg) | 4.7 |
| EAN number | 8712465037980 |

Warranty

Lifetime on manufacturing | 1 years serviceable parts warranty (waste kit, clips & seals)

Care & Maintenance

Clean with warm soapy water only | You can use the Reginox INOX care cream to help maintain the steel finish | Avoid using anything abrasive on sink surface as will void the warranty